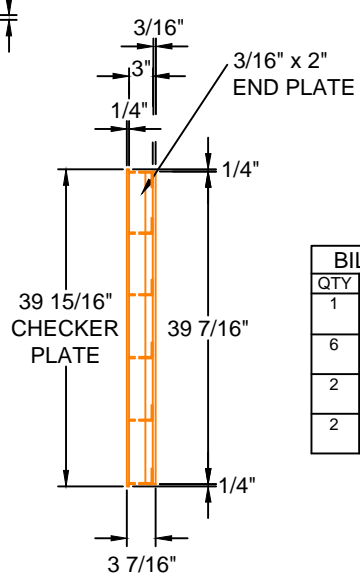
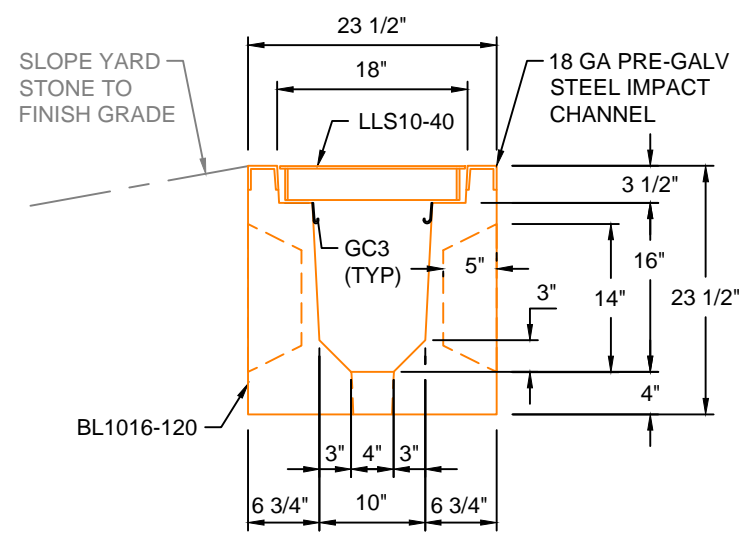


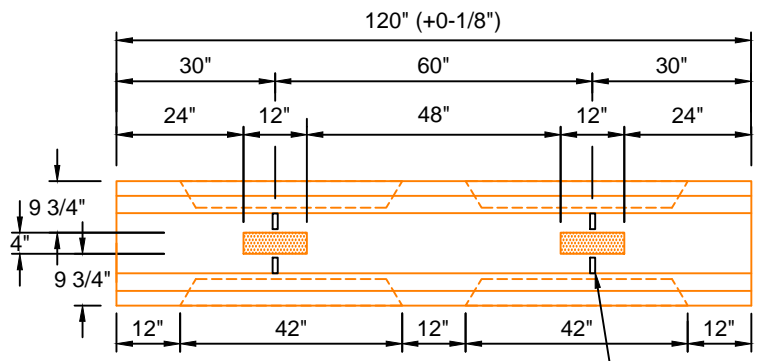
LLS10-40  
 SCALE: 3/4"=1'-0"



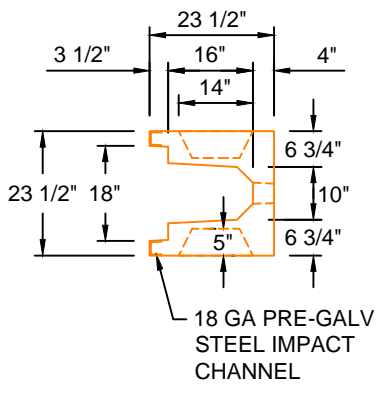
BILL OF MATERIAL	
QTY	DESCRIPTION
1	CHECKER PLATE, 39 15/16" x 17 1/2" x 1/4"
6	3" x 2" x 3/16" ANGLE, 16 1/2" LENGTH
2	3/16" x 2 1/2" x 39 7/16" FLAT BAR
2	3/16" x 2" x 39 7/16" FLAT BAR



TYPICAL LIGHT TRAFFIC SECTION  
 WITH STEEL LID 10"W x 16"D  
 SCALE: 1" = 1'-0"



BL1016-120  
 SCALE: 1/2" = 1'-0"  
 WEIGHT: 3105 #



\*GC3 (GROUND CLIPS) OPTIONAL

<b>Trenwa Inc.</b>		
1419 ALEXANDRIA PIKE FORT THOMAS, KY 41075 859-781-0831		
<b>TYPICAL LIGHT TRAFFIC BASE, STEEL LID &amp; SECTION FOR 10" WIDE x 16" DEEP TRENCH</b>		
Date: 7/10/17	Dwg. No. BL1016-120	