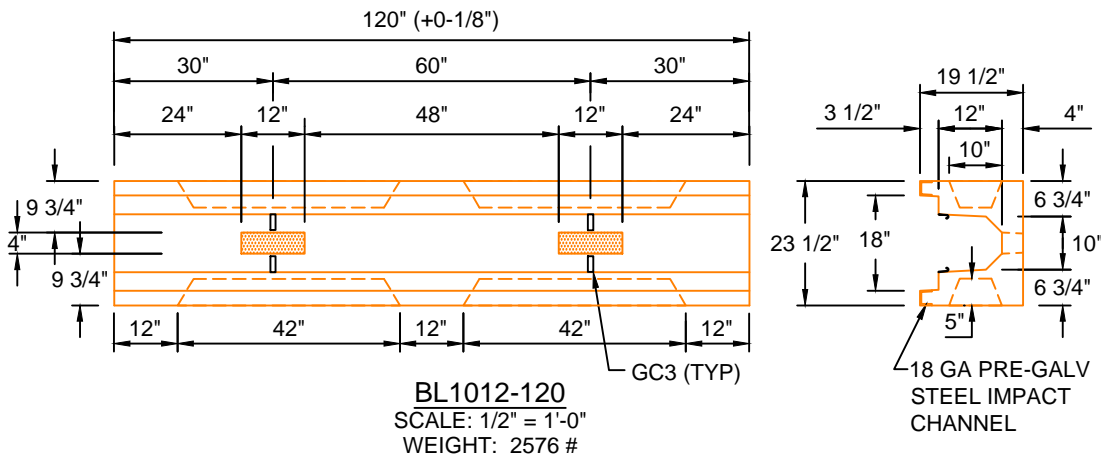


**TYPICAL LIGHT TRAFFIC SECTION WITH CONCRETE LID 10"W x 12"D**  
 SCALE: 1" = 1'-0"



**H10 DESIGN**  
**(16,000 LBS / AXLE)**

\*GC3 (GROUND CLIPS) OPTIONAL

<b>Trenwa Inc.</b>		
1419 ALEXANDRIA PIKE FORT THOMAS, KY 41075 859-781-0831		
<b>TYPICAL LIGHT TRAFFIC BASE, CONCRETE LID &amp; SECTION FOR 10" WIDE x 12" DEEP TRENCH</b>		
Date:	Dwg. No.	
10/6/2017	BL1012-120	