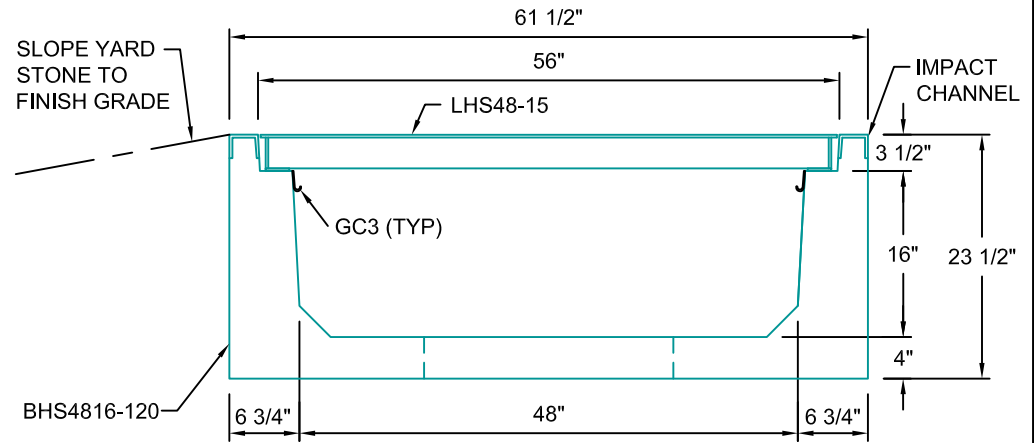
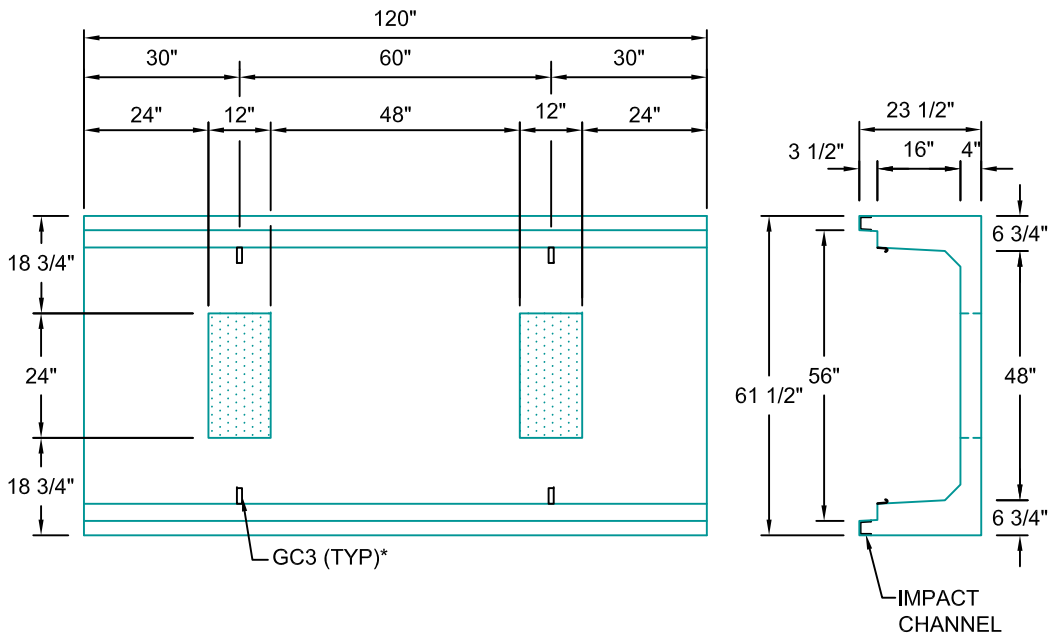


LHS48-15
 SCALE: 3/4"=1'-0"
 WEIGHT: 210 #



TYPICAL ROAD CROSSING SECTION WITH STEEL LID
48"W x 16"D
 SCALE: 1"=1'-0"



BHS4816-120
 SCALE: 1/2" = 1'-0"
 WEIGHT: 4743

*GC3 (GROUND CLIPS) OPTIONAL

AASHTO HS20 DESIGN
(32,000 LBS / AXLE)

Trenwa Inc.

1419 ALEXANDRIA PIKE FORT THOMAS, KY 41075 859-781-0831

TYPICAL ROAD CROSSING BASE, STEEL LID & SECTION FOR 48" WIDE x 16" DEEP TRENCH

Date:
3/9/17

Dwg. No.
BHS4816-120