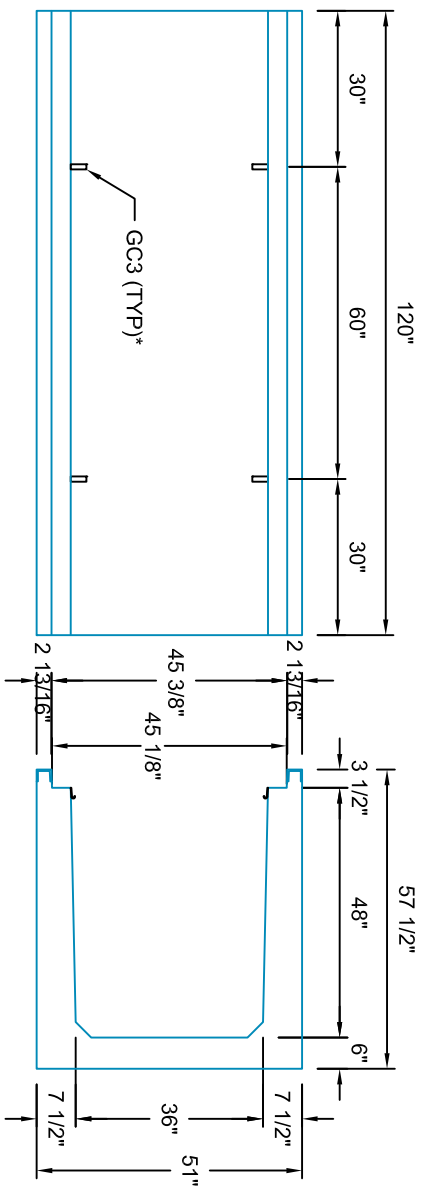
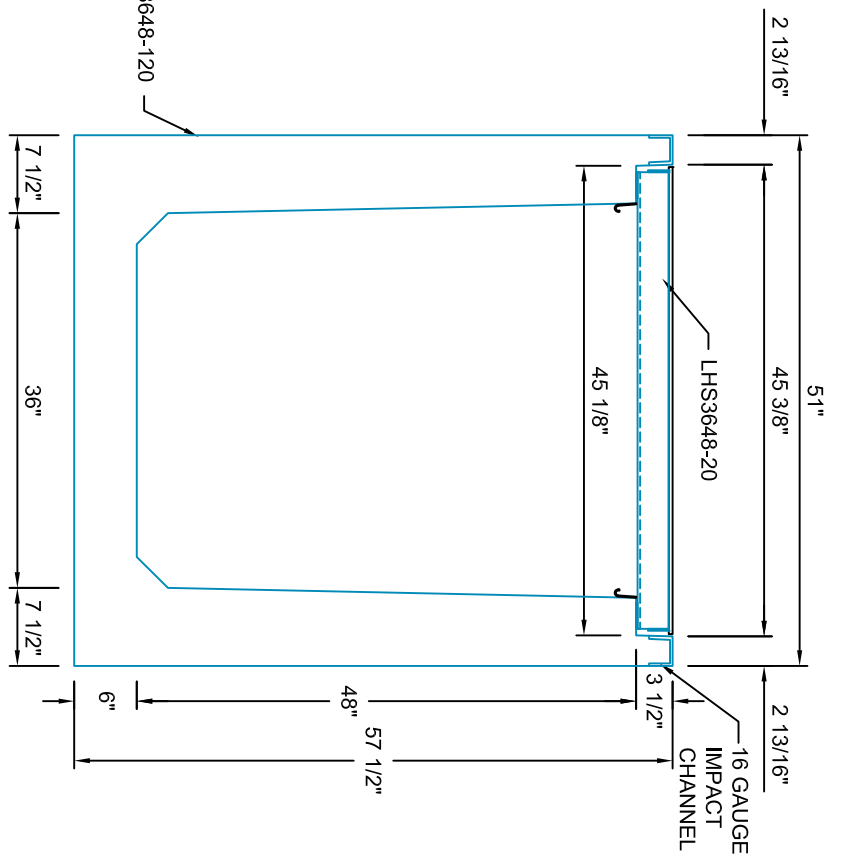


BILL OF MATERIAL	
QTY	DESCRIPTION
1	CHECKER PLATE 44 7/8" x 19 7/8" x 1/4"
4	3" x 3" x 1/4" ANGLE 43 7/8" LENGTH
2	3/16" x 2 1/2" FLAT BAR 19 3/8" LENGTH
2	3/16" x 2" FLAT BAR 19 3/8" LENGTH

LHS3648-20
SCALE: 3/4"=1'-0"



BHS3648-120
SCALE: 1/2"=1'-0"



TYPICAL ROAD CROSSING
SECTION 36"W x 48"D
SCALE: 1"=1'-0"

AASHTO HS20 DESIGN
(32,000 LBS / AXLE)

Trenwa Inc.

1419 ALEXANDRIA PIKE FORT THOMAS, KY 41075	859-781-0831
TYPICAL ROAD CROSSING BASE, STEEL LID & SECTION FOR 36" WIDE x 48" DEEP TRENCH	
Date: 11/7/2013	Dwg. No. BHS3648-120 STD

MANUFACTURED LENGTH IS 1/8" LESS THAN PART NUMBER.

*GC3 (GROUND CLIPS) OPTIONAL