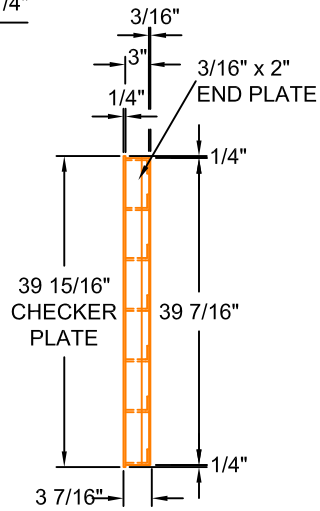
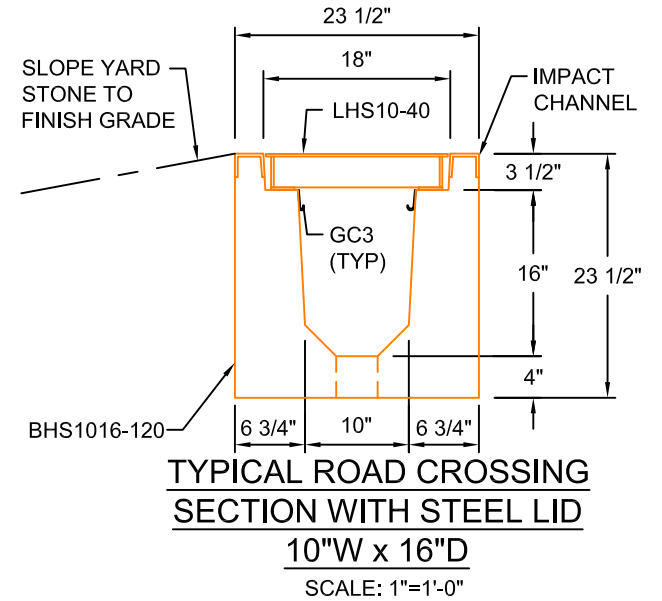
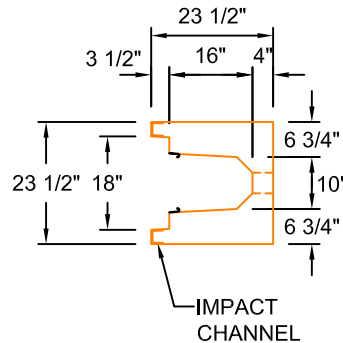
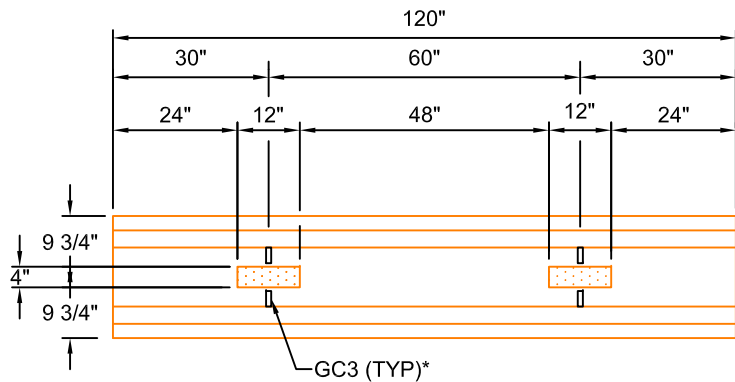


LHS10-40
 SCALE: 3/4"=1'-0"
 WEIGHT: 114 #



BHS1016-120
 SCALE: 1/2" = 1'-0"
 WEIGHT: 3361



AASHTO HS20 DESIGN
(32,000 LBS / AXLE)

Trenwa Inc.

1419 ALEXANDRIA PIKE FORT THOMAS, KY 41075 859-781-0831

TYPICAL ROAD CROSSING BASE, STEEL LID & SECTION FOR 10" WIDE x 16" DEEP TRENCH

Date:
 3/9/17

Dwg. No.
 BHS1016-120

*GC3 (GROUND CLIPS) OPTIONAL