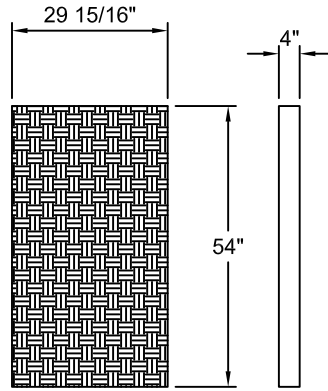


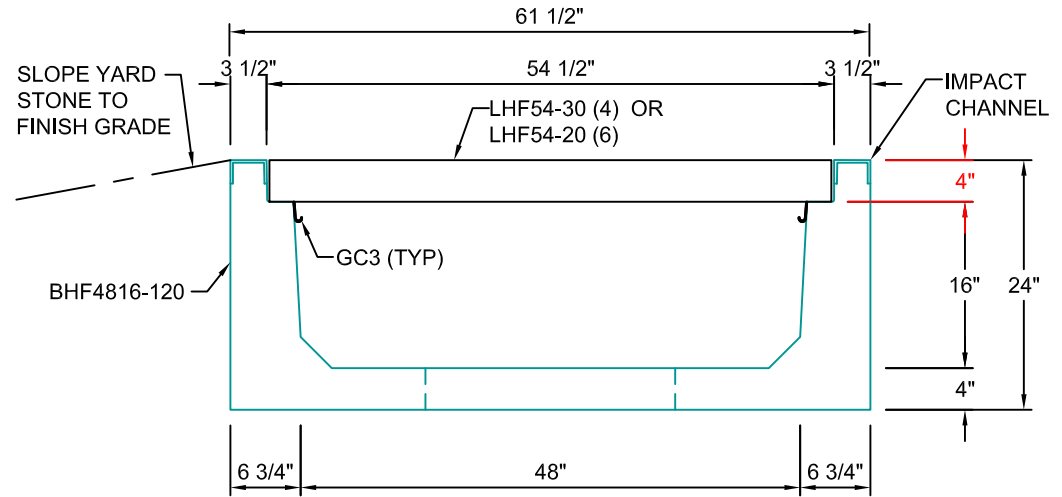
LHF54-20

SCALE: 1/2" = 1'-0"
WEIGHT: 90#



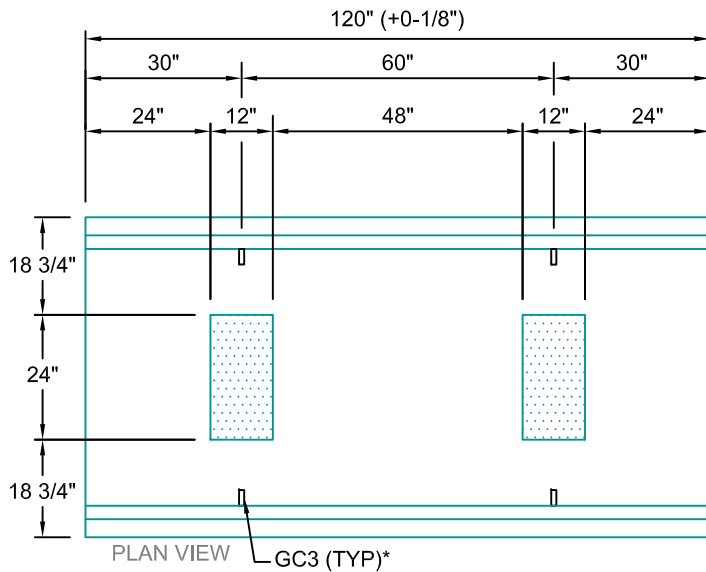
LHF54-30

SCALE: 1/2" = 1'-0"
WEIGHT: 108#



TYPICAL ROAD CROSSING SECTION WITH FIBRELITE LID

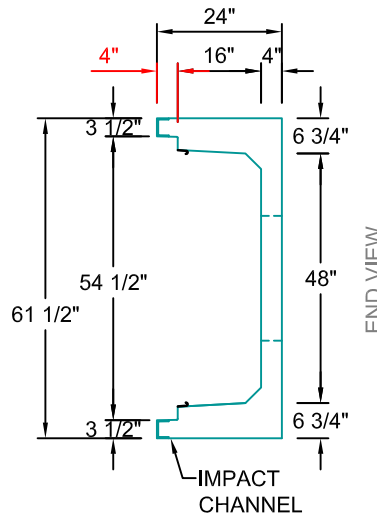
48"W x 16"D
SCALE: 1"=1'-0"



BHF4816-120

SCALE: 1/2" = 1'-0"
WEIGHT: 4788#

*GC3 (GROUND CLIPS) OPTIONAL



AASHTO HS20 DESIGN
(32,000 LBS / AXLE)

Trenwa Inc.

1419 ALEXANDRIA PIKE FORT THOMAS, KY 41075 859-781-0831

TYPICAL ROAD CROSSING BASE, FIBRELITE LID & SECTION FOR 48" WIDE x 16" DEEP TRENCH

Date:
1/30/17

Dwg. No.
BHF4816-120