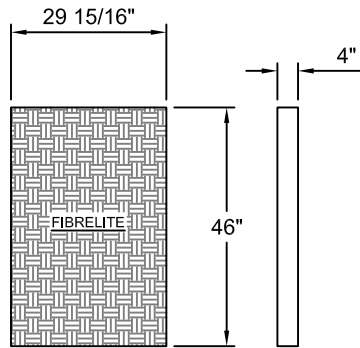
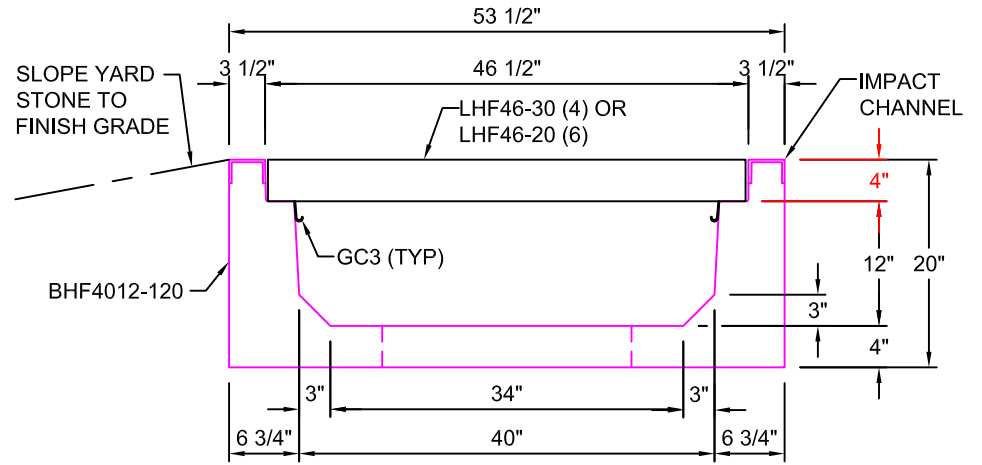


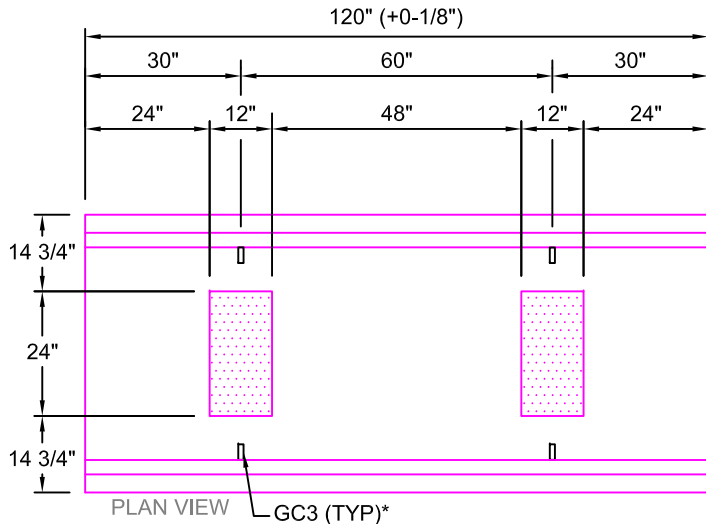
LHF46-20
SCALE: 1/2" = 1'-0"
WEIGHT: 68 #



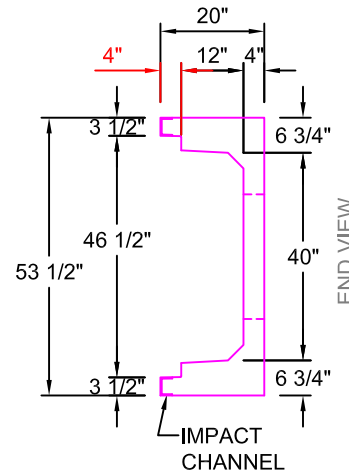
LHF46-30
SCALE: 1/2" = 1'-0"
WEIGHT: 84#



TYPICAL ROAD CROSSING SECTION WITH FIBRELITE LID
40"W x 12"D
SCALE: 1"=1'-0"



BHF4012-120
SCALE: 1/2" = 1'-0"
WEIGHT: 3942#



AASHTO HS20 DESIGN
(32,000 LBS / AXLE)

*GC3 (GROUND CLIPS) OPTIONAL

Trenwa Inc.

1419 ALEXANDRIA PIKE FORT THOMAS, KY 41075 859-781-0831

TYPICAL ROAD CROSSING BASE, FIBRELITE LID & SECTION FOR 40" WIDE x 12" DEEP TRENCH

Date:
1/26/17

Dwg. No.
BHF4012-120