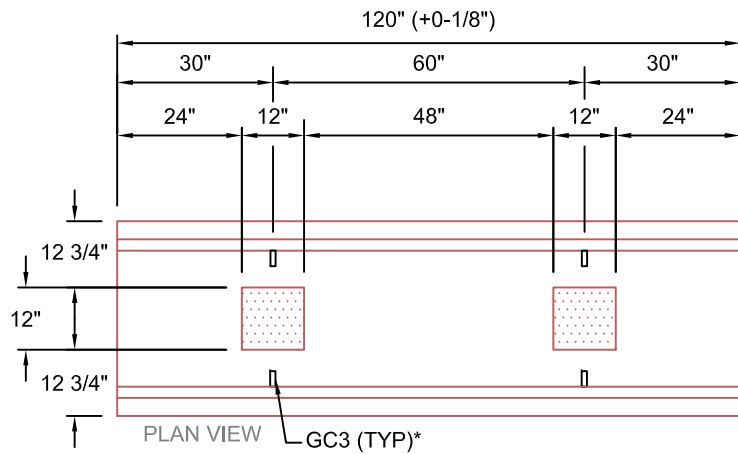


**LHF30-60**

SCALE: 1/2" = 1'-0"

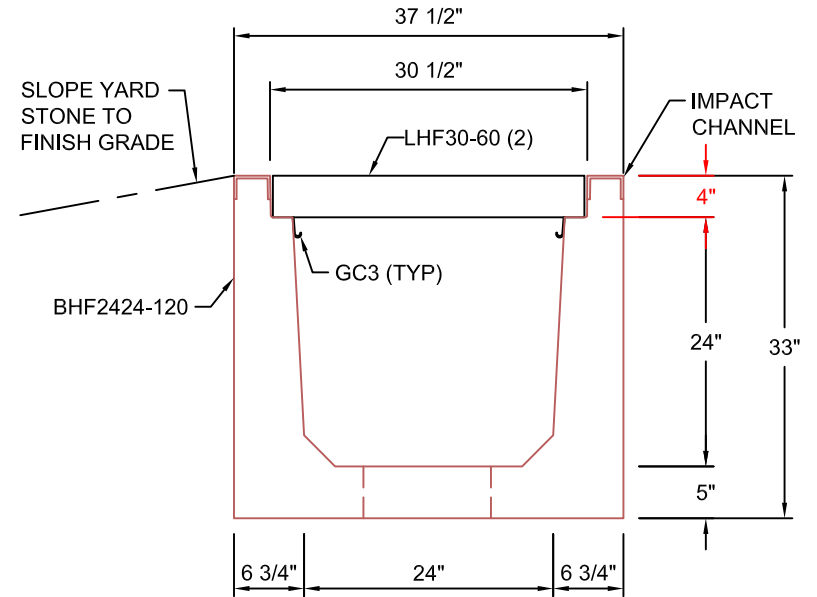
WEIGHT: 77#



**BHF2424-120**

SCALE: 1/2" = 1'-0"

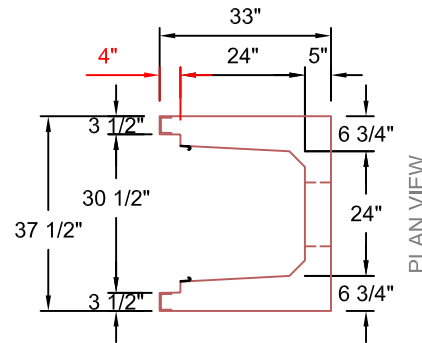
WEIGHT: 5308#



**TYPICAL ROAD CROSSING SECTION WITH FIBRELITE LIDS**

**24"W x 24"D**

SCALE: 1"=1'-0"



PLAN VIEW

**AASHTO HS20 DESIGN  
(32,000 LBS / AXLE)**

**Trenwa Inc.**

1419 ALEXANDRIA PIKE FORT THOMAS, KY 41075 859-781-0831

TYPICAL ROAD CROSSING BASE, FIBRELITE LID & SECTION FOR 24" WIDE x 24" DEEP TRENCH

Date:  
1/26/17

Dwg. No.  
BHF2424-120

\*GC3 (GROUND CLIPS) OPTIONAL