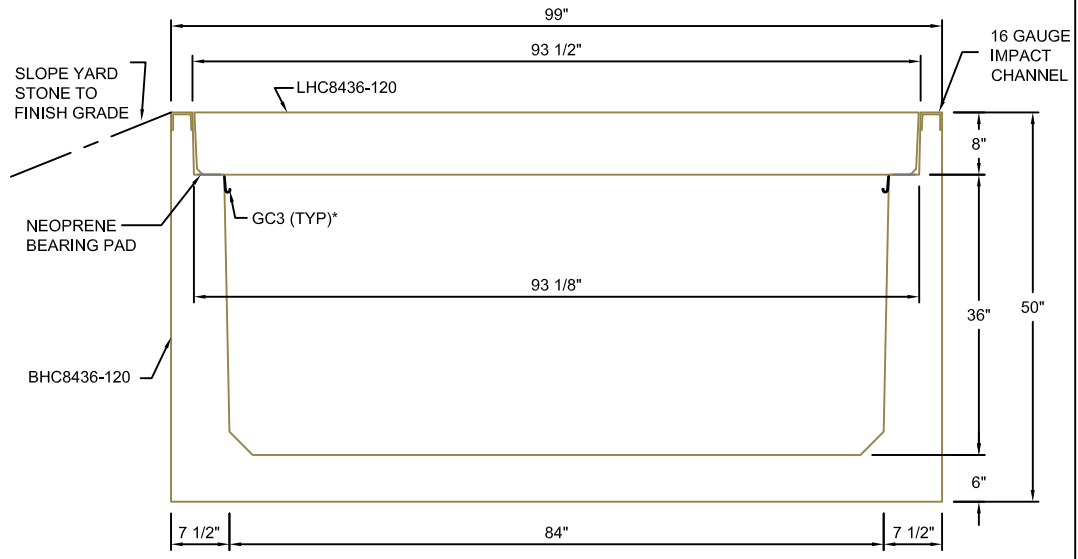
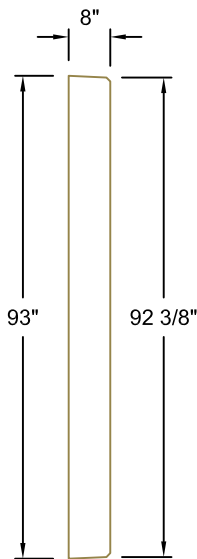
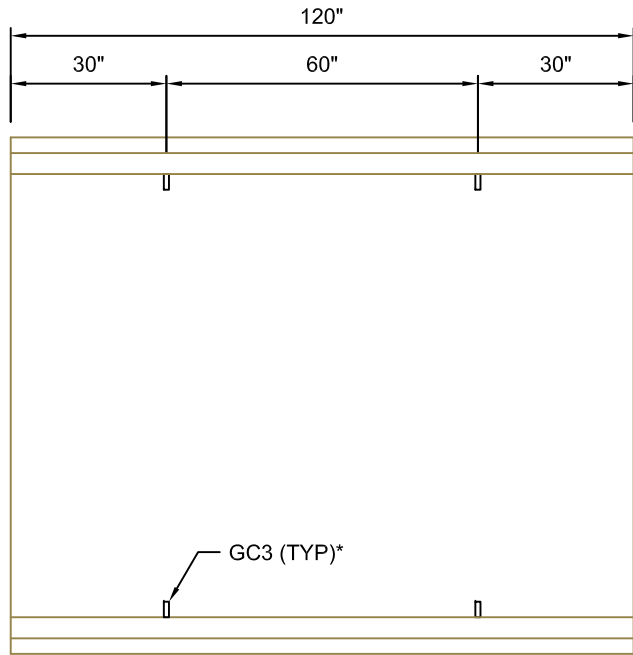


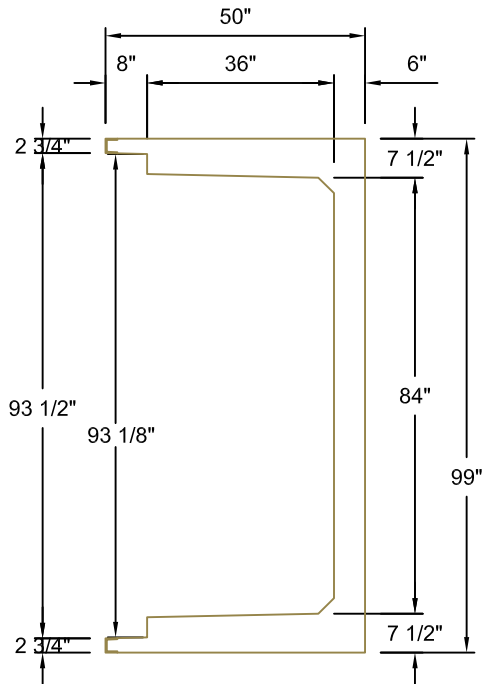
LHC8436-120
SCALE: 1/2"=1'-0"



TYPICAL ROAD CROSSING SECTION 84"W x 36"D
SCALE: 1"=1'-0"



BHC8436-120
SCALE: 1/2"=1'-0"



**AASHTO HS20 DESIGN
(32,000 LBS / AXLE)**

*GC3 (GROUND CLIPS) OPTIONAL

Trenwa Inc.	
1419 ALEXANDRIA PIKE FORT THOMAS, KY 41075 859-781-0831	
TYPICAL ROAD CROSSING BASE, LID & SECTION FOR 84" WIDE x 36" DEEP TRENCH	
Date: 8/27/2012	Dwg. No. BHC8436-120 STD