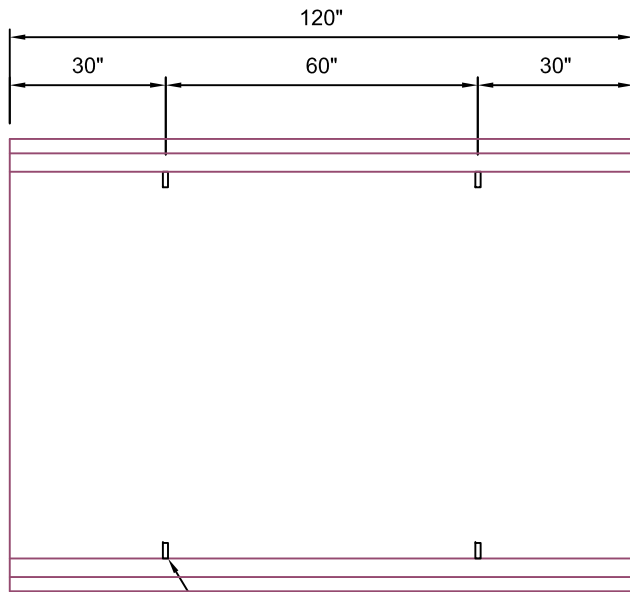
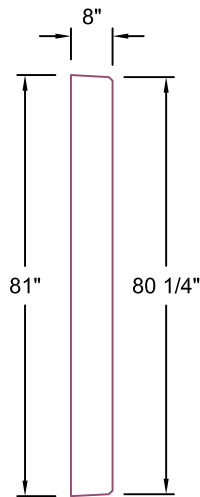


3/4" COIL INSERT (4)

**LHC7260-120**



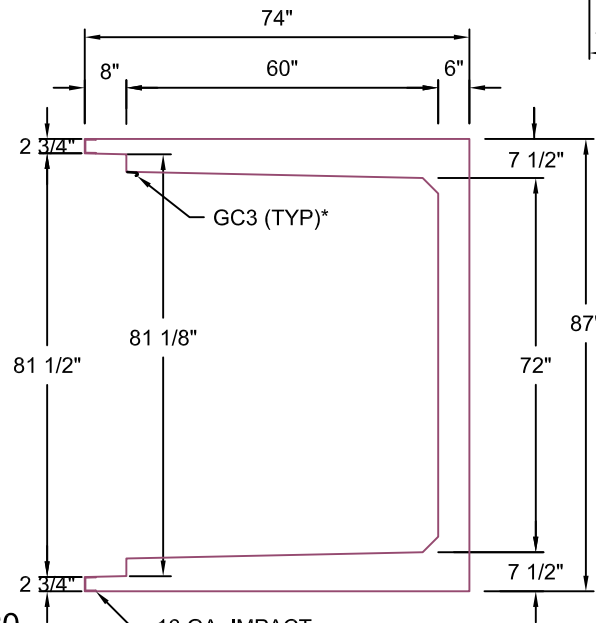
GC3 (TYP)\*

**BHC7260-120**

SCALE: 1/2"=1'-0"

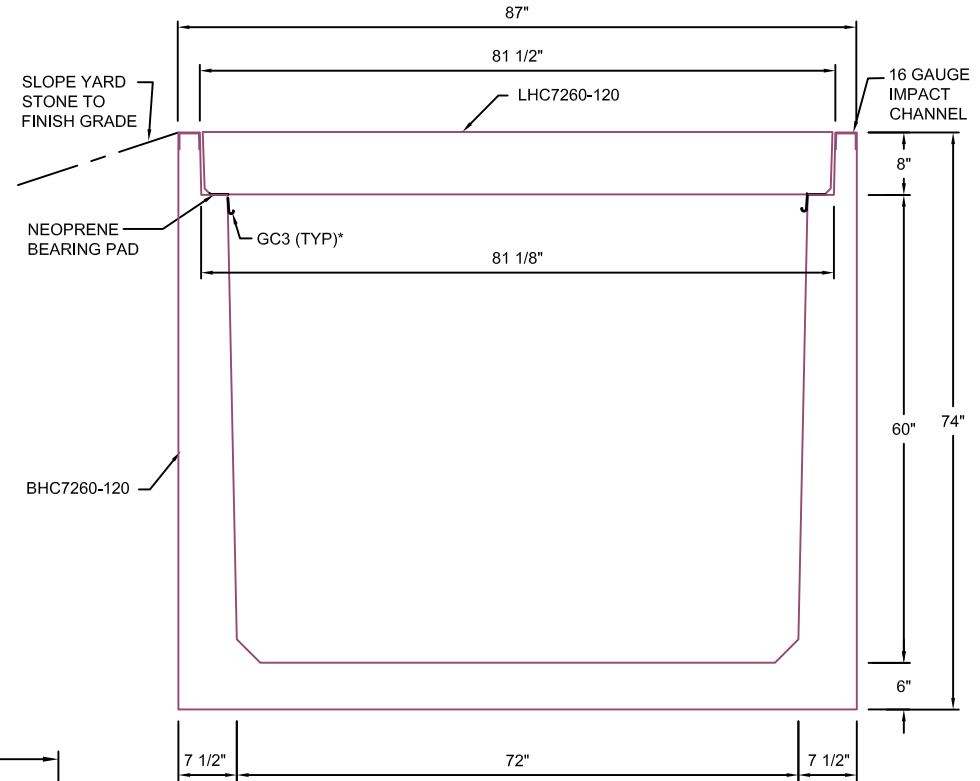
MANUFACTURED LENGTH IS 1/8" LESS THAN PART NUMBER.

\*GC3 (GROUND CLIPS) OPTIONAL



GC3 (TYP)\*

16 GA. IMPACT CHANNEL



**TYPICAL XL ROAD CROSSING**  
**SECTION 72"W x 60"D**

SCALE: 1"=1'-0"

**AASHTO HS20 DESIGN**  
**(32,000 LBS / AXLE)**

**Trenwa Inc.**

1419 ALEXANDRIA PIKE FORT THOMAS, KY 41075 859-781-0831

**TYPICAL ROAD CROSSING BASE, LID & SECTION FOR 72" WIDE x 60" DEEP TRENCH**

Date:  
10/24/2013

Dwg. No.  
BHC7260-120 STD