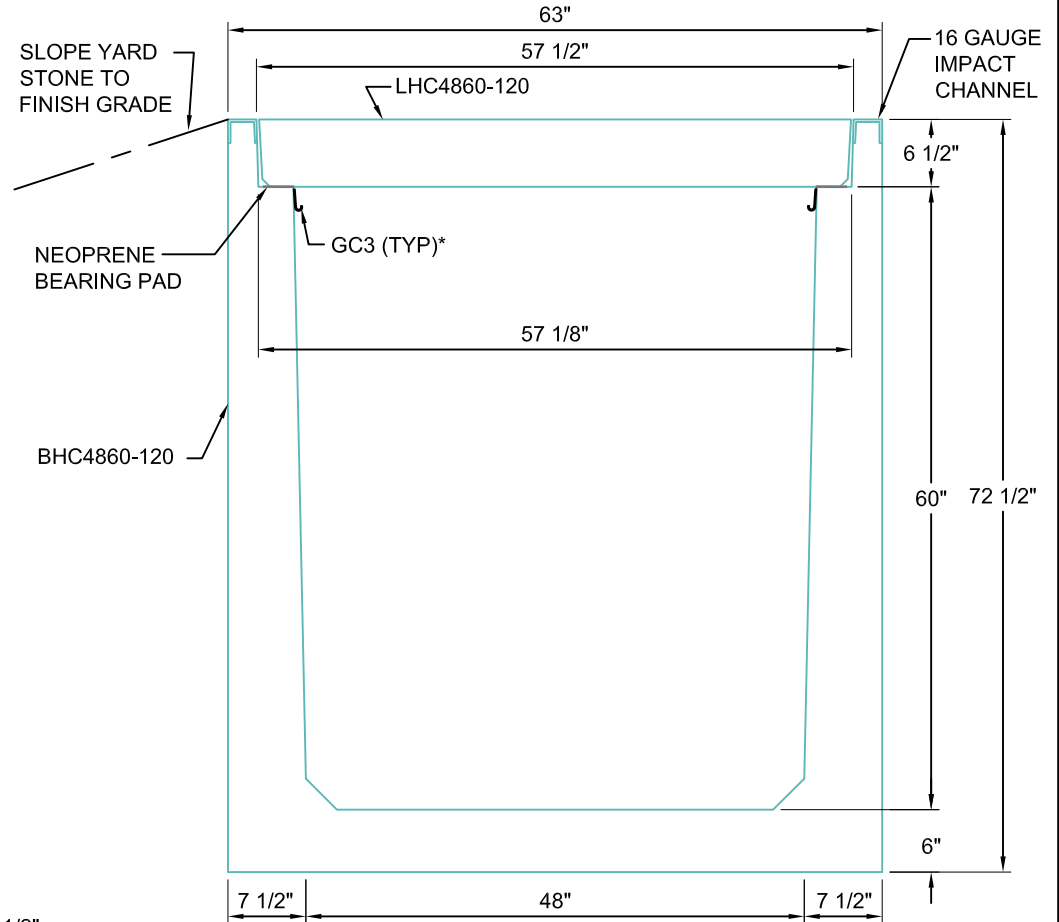
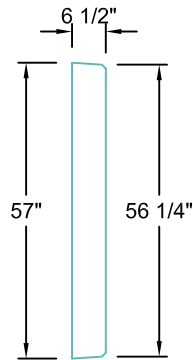
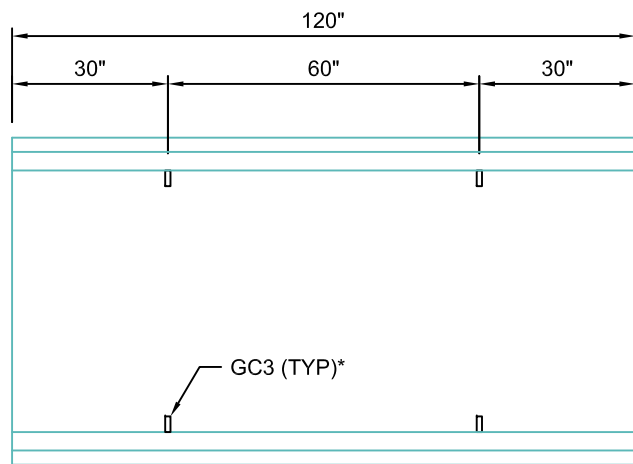


**LHC4860-120**  
SCALE: 1/2"=1'-0"

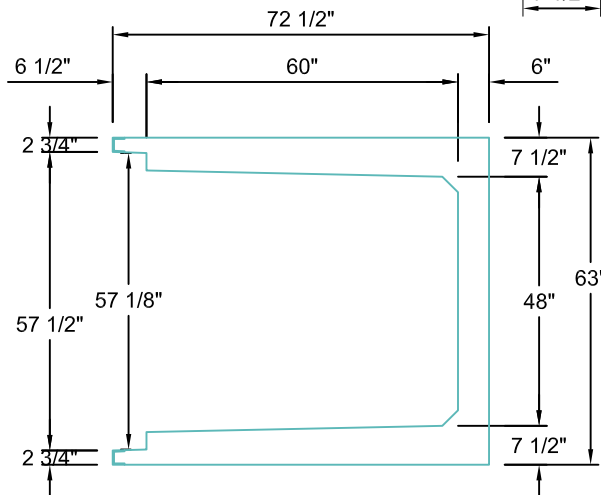


**TYPICAL ROAD CROSSING**  
**SECTION 48"W x 60"D**  
SCALE: 1"=1'-0"



\*GC3 (GROUND CLIPS) OPTIONAL

**BHC4860-120**  
SCALE: 1/2"=1'-0"



MANUFACTURED LENGTH IS 1/8"  
LESS THAN PART NUMBER.

**AASHTO HS20 DESIGN**  
**(32,000 LBS / AXLE)**

**Trenwa Inc.**

1419 ALEXANDRIA PIKE FORT THOMAS, KY 41075 859-781-0831

**TYPICAL ROAD CROSSING BASE, LID & SECTION**  
**FOR 48" WIDE x 60" DEEP TRENCH**

Date:  
10/24/2013

Dwg. No.  
BHC4860-120 STD