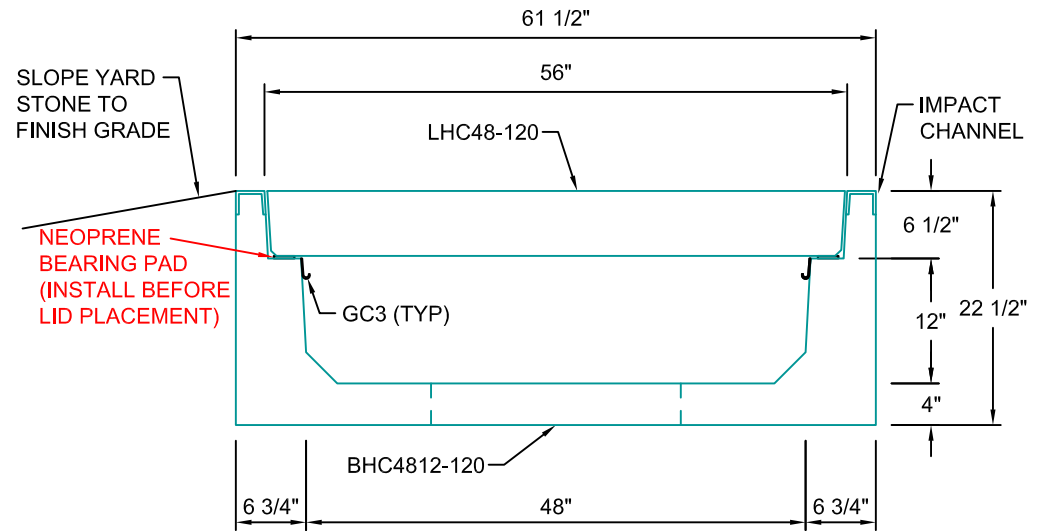
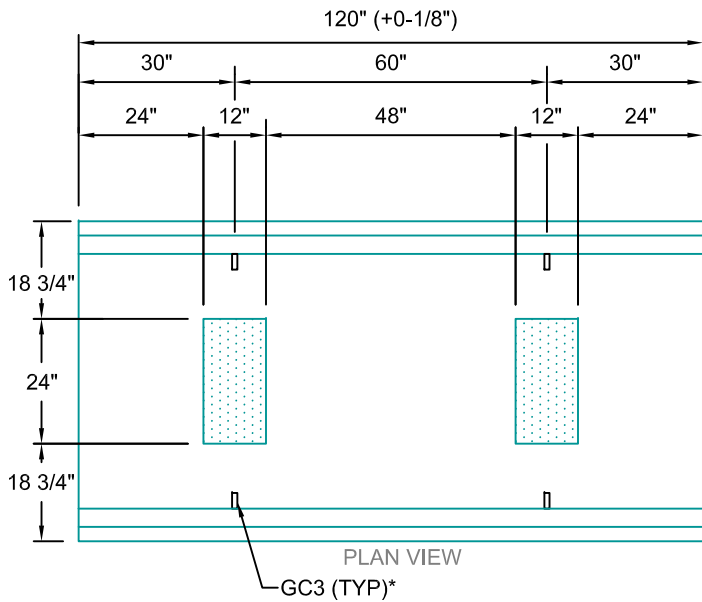


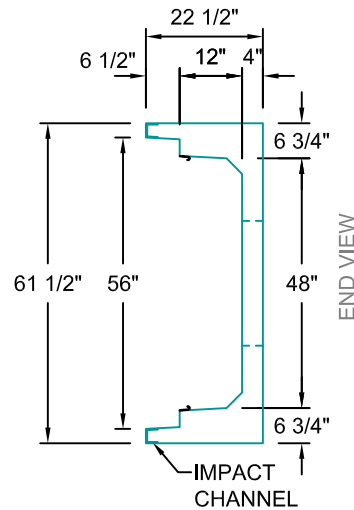
LHC48-120
 SCALE: 1/2" = 1'-0"
 WEIGHT: 3633 #



TYPICAL ROAD CROSSING
SECTION 48"W x 12"D
 SCALE: 1"=1'-0"



BHC4812-120
 SCALE: 1/2" = 1'-0"
 WEIGHT: 4385 #



AASHTO HS20 DESIGN
(32,000 LBS / AXLE)

*GC3 (GROUND CLIPS) OPTIONAL

Trenwa Inc.	
1419 ALEXANDRIA PIKE FORT THOMAS, KY 41075 859-781-0831	
TYPICAL ROAD CROSSING BASE, LID & SECTION FOR 48" WIDE x 12" DEEP TRENCH	
Date: 7/6/16	Dwg. No. BHC4812-120