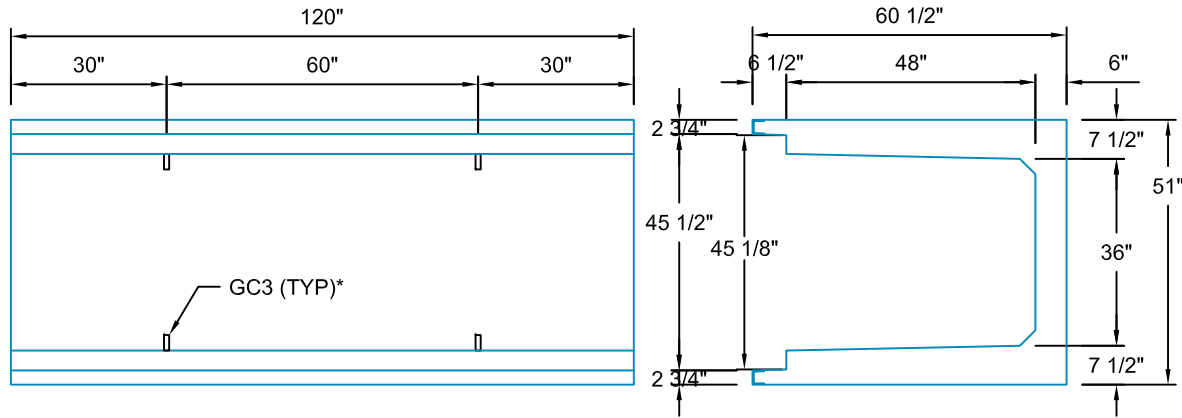
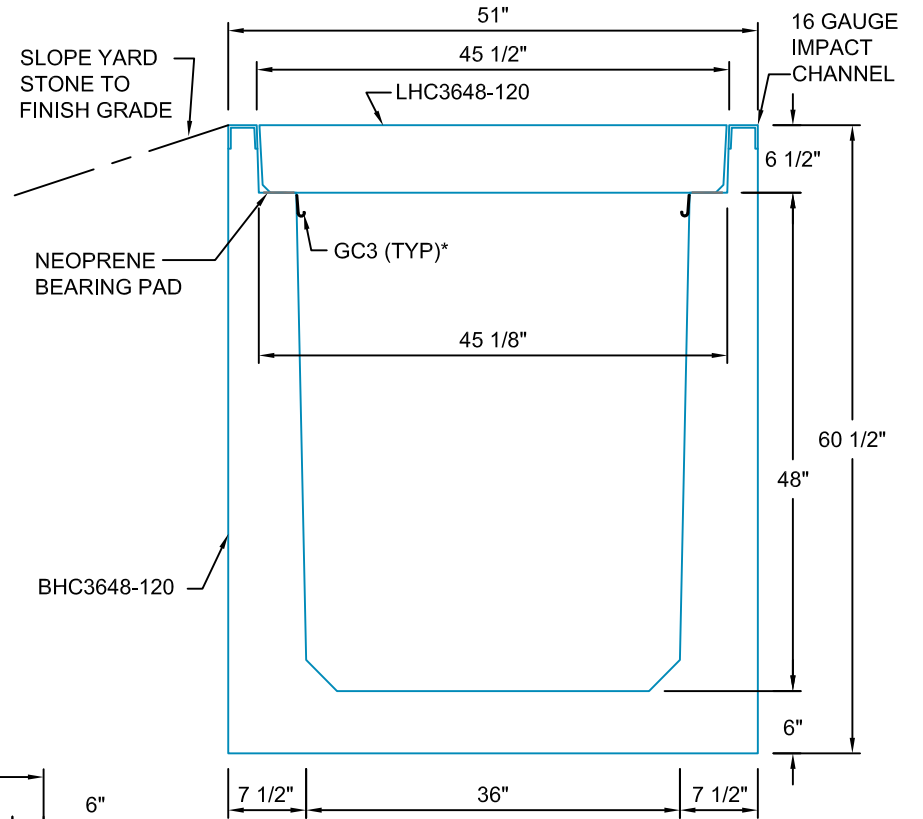


**LHC3648-120**  
SCALE: 1/2"=1'-0"



**BHC3648-120**  
SCALE: 1/2"=1'-0"



**TYPICAL ROAD CROSSING**  
**SECTION 36"W x 48"D**

SCALE: 1"=1'-0"

**AASHTO HS20 DESIGN**  
**(32,000 LBS / AXLE)**

**Trenwa Inc.**

1419 ALEXANDRIA PIKE FORT THOMAS, KY 41075 859-781-0831

TYPICAL ROAD CROSSING BASE, LID &  
SECTION FOR 36" WIDE x 48" DEEP TRENCH

Date:  
9/18/12

Dwg. No.  
BHC3648-120

\*GC3 (GROUND CLIPS) OPTIONAL