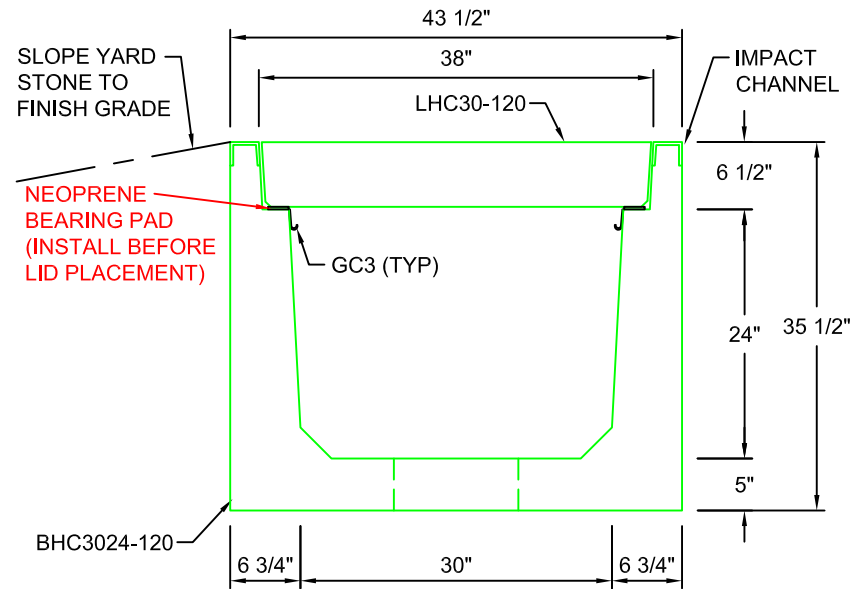
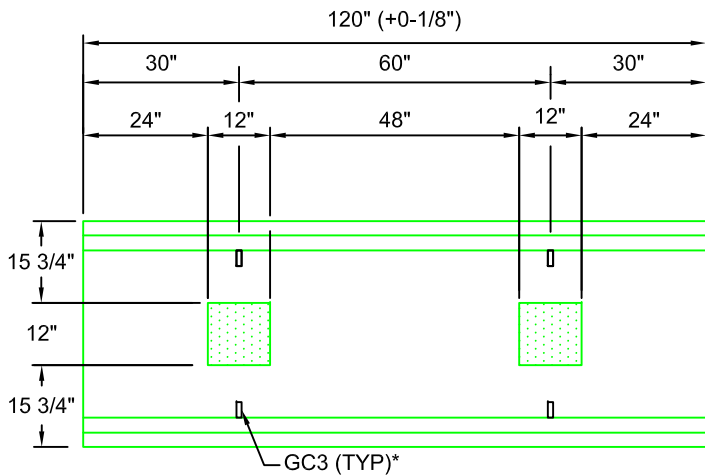


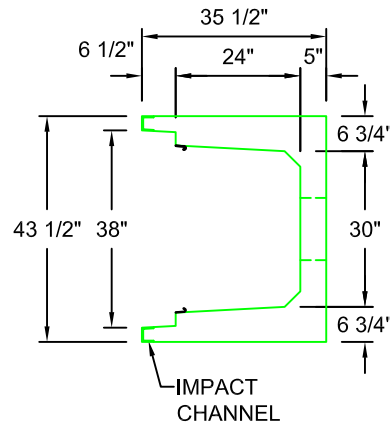
LHC30-120
SCALE: 1/2"=1'-0"



TYPICAL ROAD CROSSING SECTION 30"W x 24"D
SCALE: 1"=1'-0"



BHC3024-120
SCALE: 1/2" = 1'-0"
WEIGHT: 5760 #



AASHTO HS20 DESIGN
(32,000 LBS / AXLE)

Trenwa Inc.	
1419 ALEXANDRIA PIKE FORT THOMAS, KY 41075 859-781-0831	
TYPICAL ROAD CROSSING BASE, LID & SECTION FOR 30" WIDE x 24" DEEP TRENCH	
Date: 3/6/17	Dwg. No. BHC3024-120

*GC3 (GROUND CLIPS) OPTIONAL