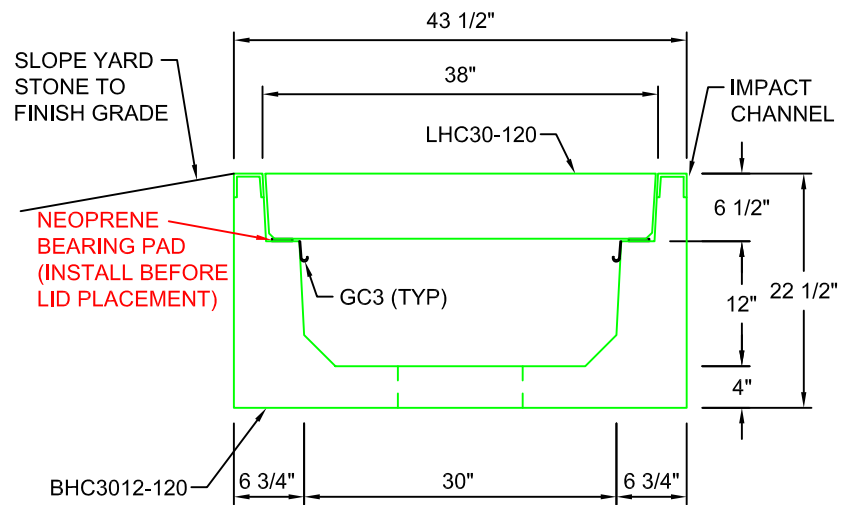
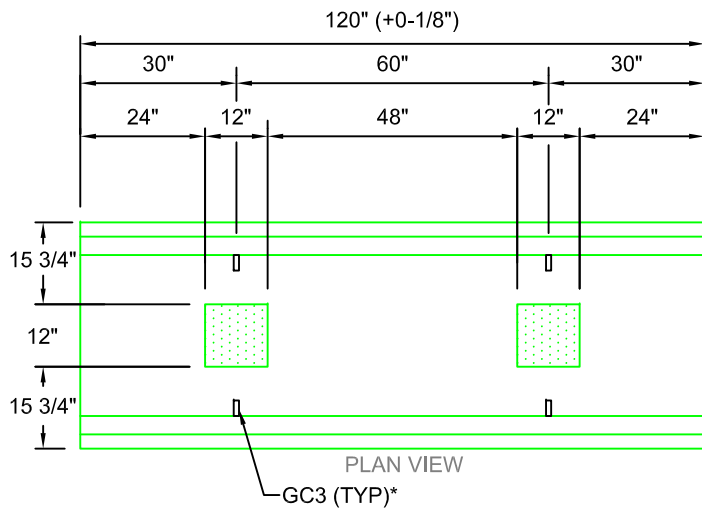


PLAN VIEW

LHC30-120
 SCALE: 1/2" = 1'-0"
 WEIGHT: 2450 #



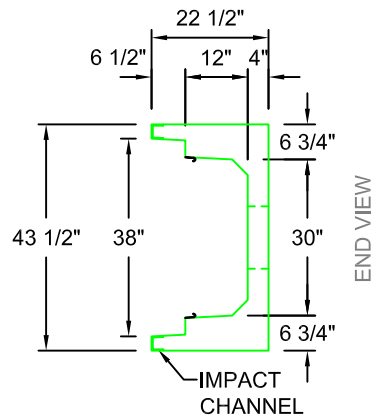
TYPICAL ROAD CROSSING SECTION 30"W x 12"D
 SCALE: 1"=1'-0"



PLAN VIEW

BHC3012-120
 SCALE: 1/2" = 1'-0"
 WEIGHT: 3755 #

*GC3 (GROUND CLIPS) OPTIONAL



END VIEW

AASHTO HS20 DESIGN
(32,000 LBS / AXLE)

Trenwa Inc.	
1419 ALEXANDRIA PIKE FORT THOMAS, KY 41075 859-781-0831	
TYPICAL ROAD CROSSING BASE, LID & SECTION FOR 30" WIDE x 12" DEEP TRENCH	
Date: 7/6/16	Dwg. No. BHC3012-120