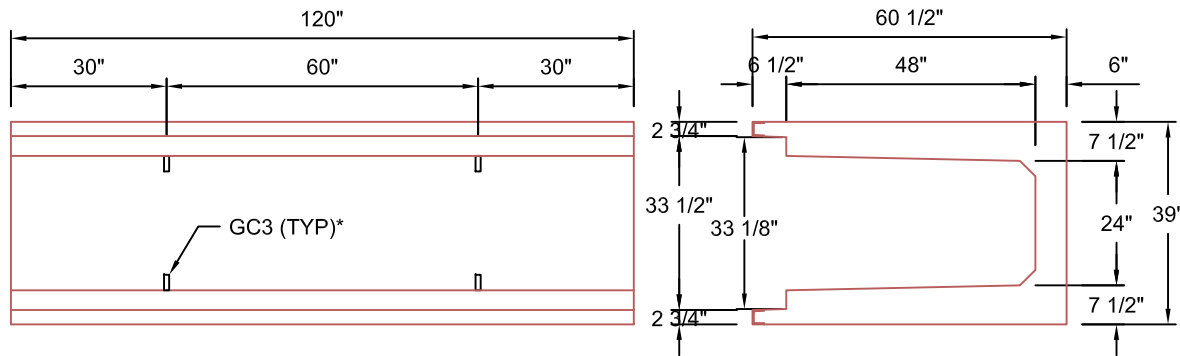
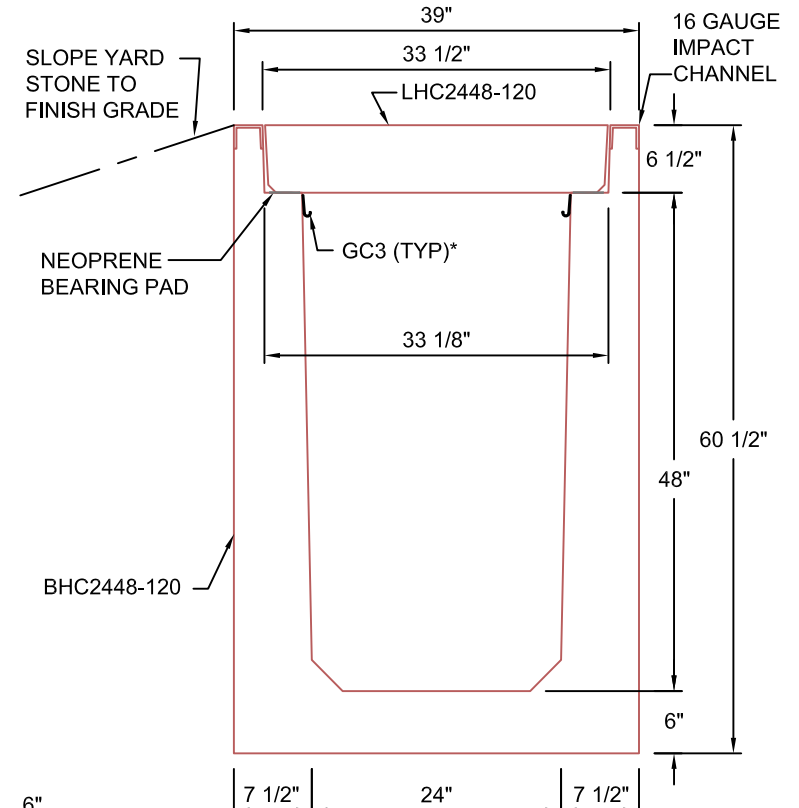


LHC2448-120
SCALE: 1/2"=1'-0"



BHC2448-120
SCALE: 1/2"=1'-0"



TYPICAL ROAD CROSSING
SECTION 24"W x 48"D

SCALE: 1"=1'-0"

AASHTO HS20 DESIGN
(32,000 LBS / AXLE)

Trenwa Inc.

1419 ALEXANDRIA PIKE FORT THOMAS, KY 41075 859-781-0831

TYPICAL ROAD CROSSING BASE, LID &
SECTION FOR 24" WIDE x 48" DEEP TRENCH

Date:
9/18/12

Dwg. No.
BHC2448-120

*GC3 (GROUND CLIPS) OPTIONAL