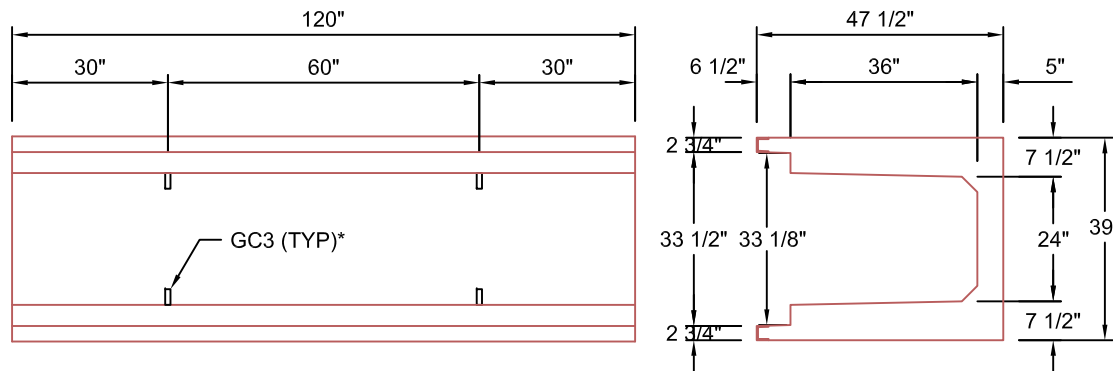
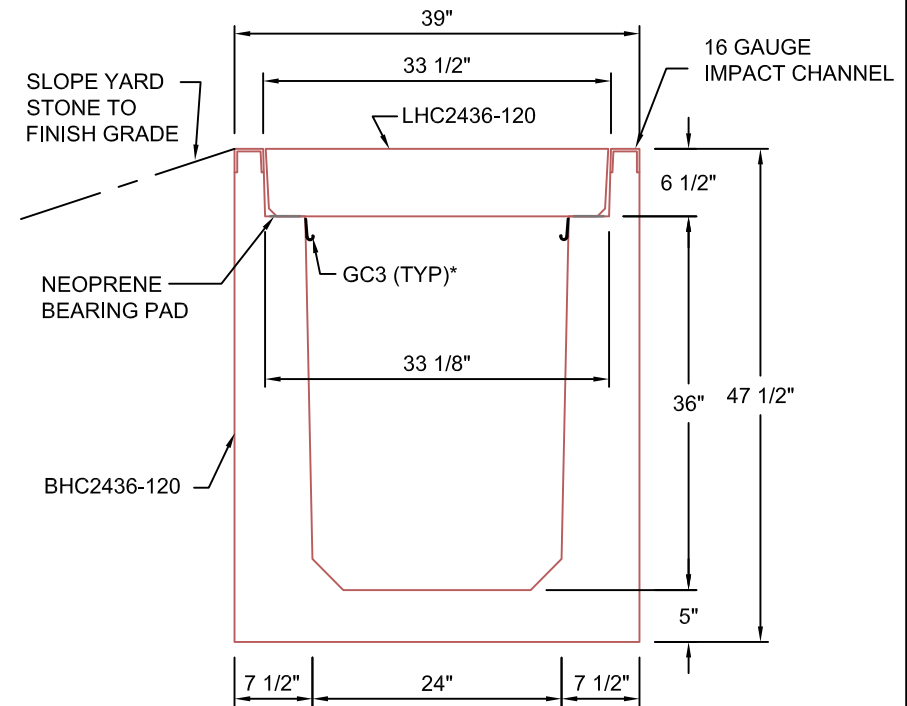


**LHC2436-120**  
SCALE: 1/2"=1'-0"



**BHC2436-120**  
SCALE: 1/2"=1'-0"



**TYPICAL ROAD CROSSING SECTION 24"W x 36"D**  
SCALE: 1"=1'-0"

**AASHTO HS20 DESIGN  
(32,000 LBS / AXLE)**

**Trenwa Inc.**

1419 ALEXANDRIA PIKE FORT THOMAS, KY 41075 859-781-0831

TYPICAL ROAD CROSSING BASE, LID & SECTION FOR 24" WIDE x 36" DEEP TRENCH

Date:  
8/23/2012

Dwg. No.  
BHC2436-120 STD

\*GC3 (GROUND CLIPS) OPTIONAL