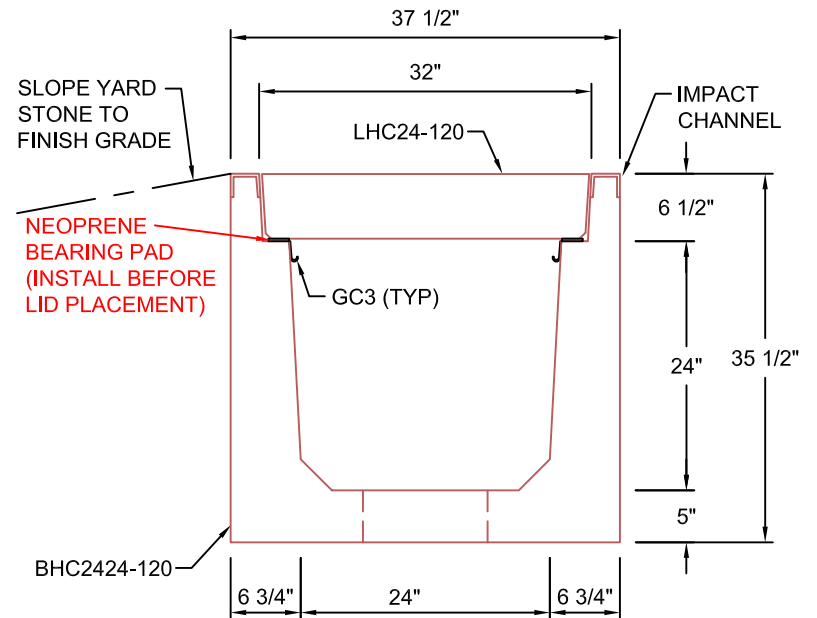
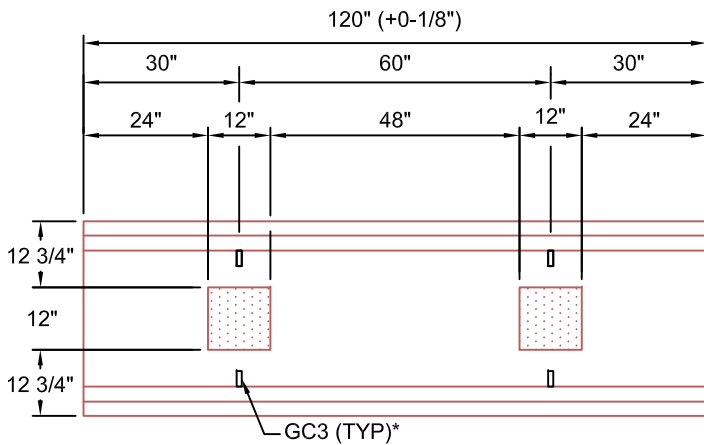


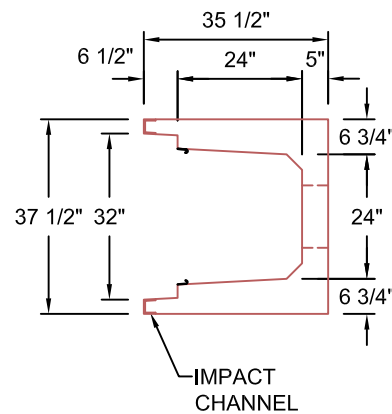
LHC24-120
 SCALE: 1/2"=1'-0"
 WEIGHT: 2050 #



TYPICAL ROAD CROSSING
SECTION 24"W x 24"D
 SCALE: 1"=1'-0"



BHC2424-120
 SCALE: 1/2" = 1'-0"
 WEIGHT: 5450 #



AASHTO HS20 DESIGN
(32,000 LBS / AXLE)

Trenwa Inc.

1419 ALEXANDRIA PIKE FORT THOMAS, KY 41075 859-781-0831

**TYPICAL ROAD CROSSING BASE, LID &
 SECTION FOR 24" WIDE x 24" DEEP TRENCH**

Date:
 3/6/17

Dwg. No.
 BHC2424-120

*GC3 (GROUND CLIPS) OPTIONAL