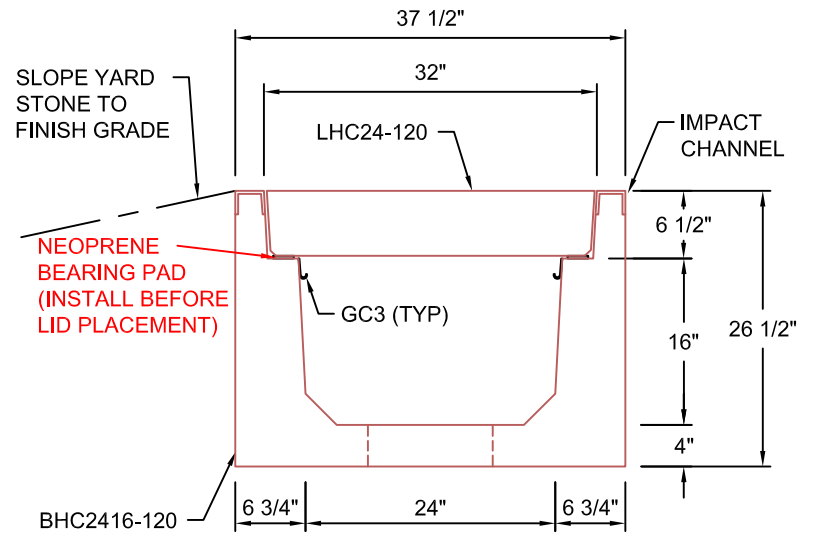
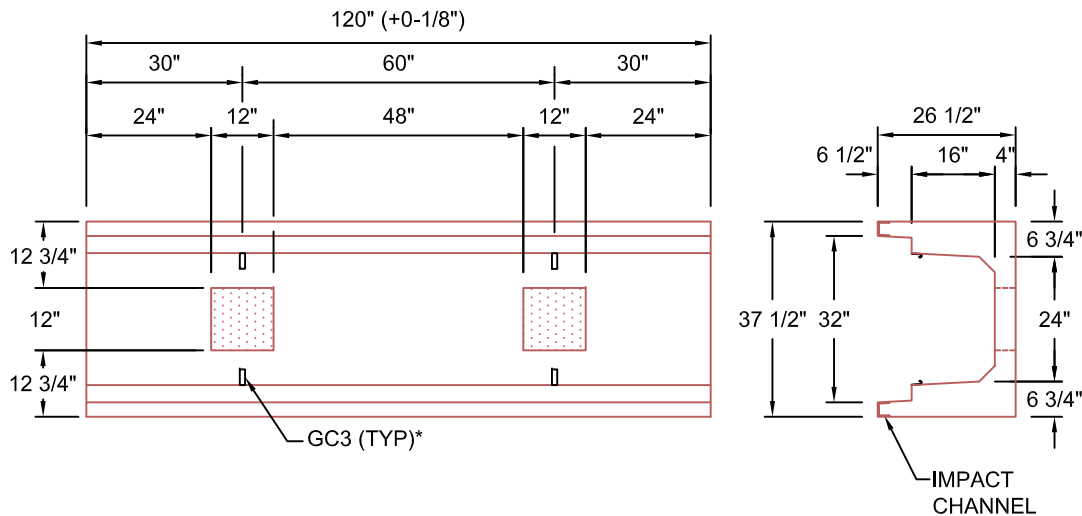


LHC24-120
 SCALE: 1/2"=1'-0"
 WEIGHT: 2050 #



TYPICAL ROAD CROSSING SECTION 24"W x 16"D
 SCALE: 1"=1'-0"



BHC2416-120
 SCALE: 1/2" = 1'-0"
 WEIGHT: 4036 #

AASHTO HS20 DESIGN
(32,000 LBS / AXLE)

*GC3 (GROUND CLIPS) OPTIONAL

| | |
|---|-------------------------|
| Trenwa Inc. | |
| 1419 ALEXANDRIA PIKE FORT THOMAS, KY 41075 859-781-0831 | |
| TYPICAL ROAD CROSSING BASE, LID & SECTION FOR 24" WIDE x 16" DEEP TRENCH | |
| Date: 5/6/16 | Dwg. No. BHC2416-120 |