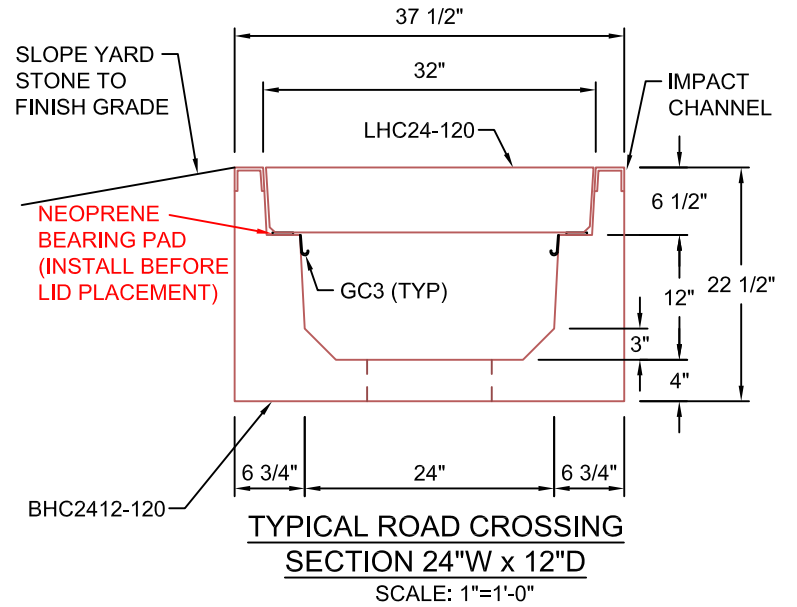
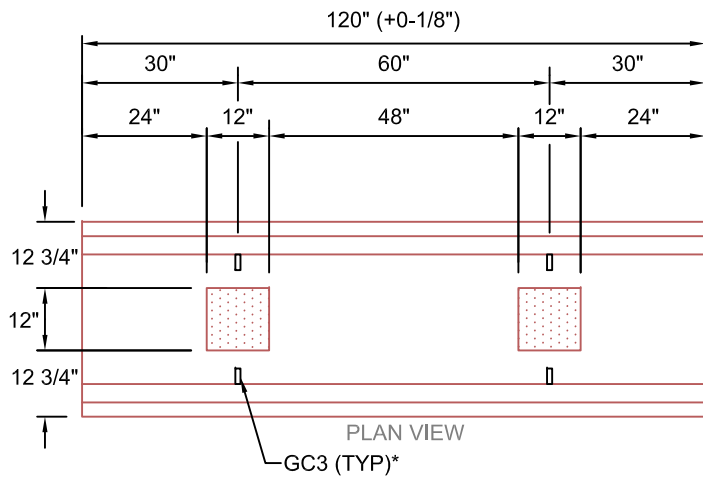


PLAN VIEW

**LHC24-120**  
 SCALE: 1/2" = 1'-0"  
 WEIGHT: 2050 #

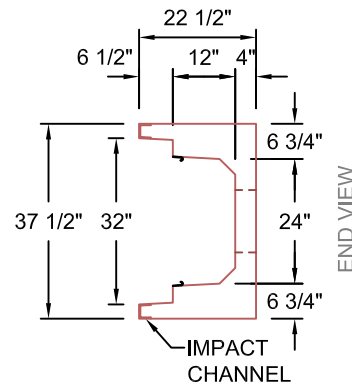


**TYPICAL ROAD CROSSING SECTION 24"W x 12"D**  
 SCALE: 1"=1'-0"



PLAN VIEW

**BHC2412-120**  
 SCALE: 1/2" = 1'-0"  
 WEIGHT: 3510 #



END VIEW

**AASHTO HS20 DESIGN**  
**(32,000 LBS / AXLE)**

\*GC3 (GROUND CLIPS) OPTIONAL

<b>Trenwa Inc.</b>		
1419 ALEXANDRIA PIKE FORT THOMAS, KY 41075 859-781-0831		
<b>TYPICAL ROAD CROSSING BASE, LID &amp; SECTION FOR 24" WIDE x 12" DEEP TRENCH</b>		
Date:	Dwg. No.	
7/6/16	BHC2412-120	