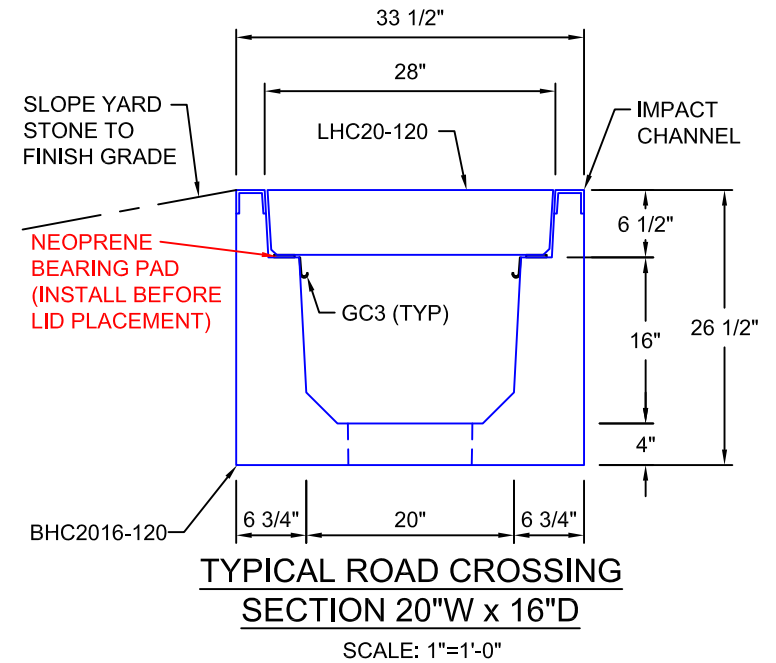
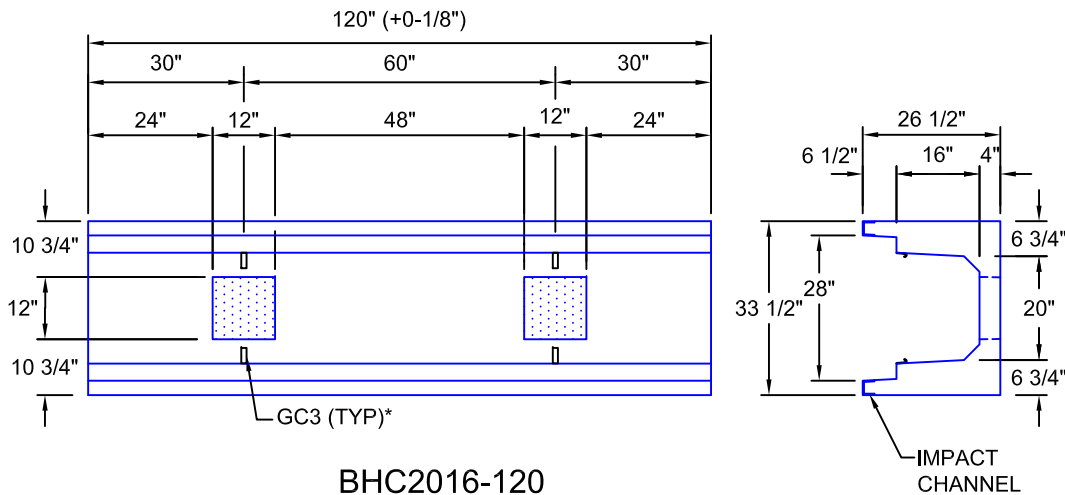


**LHC20-120**  
 SCALE: 1/2"=1'-0"  
 WEIGHT: 1790 #



**TYPICAL ROAD CROSSING SECTION 20"W x 16"D**  
 SCALE: 1"=1'-0"



**BHC2016-120**  
 SCALE: 1/2" = 1'-0"  
 WEIGHT: 3875 #

**AASHTO HS20 DESIGN**  
**(32,000 LBS / AXLE)**

\*GC3 (GROUND CLIPS) OPTIONAL

<b>Trenwa Inc.</b>	
1419 ALEXANDRIA PIKE FORT THOMAS, KY 41075 859-781-0831	
<b>TYPICAL ROAD CROSSING BASE, LID &amp; SECTION FOR 20" WIDE x 16" DEEP TRENCH</b>	
Date: 12/13/2016	Dwg. No. BHC2016-120