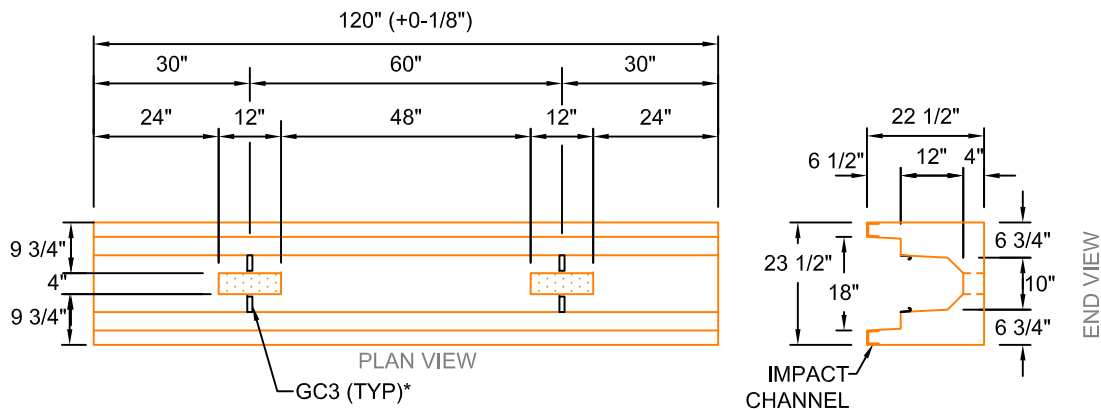
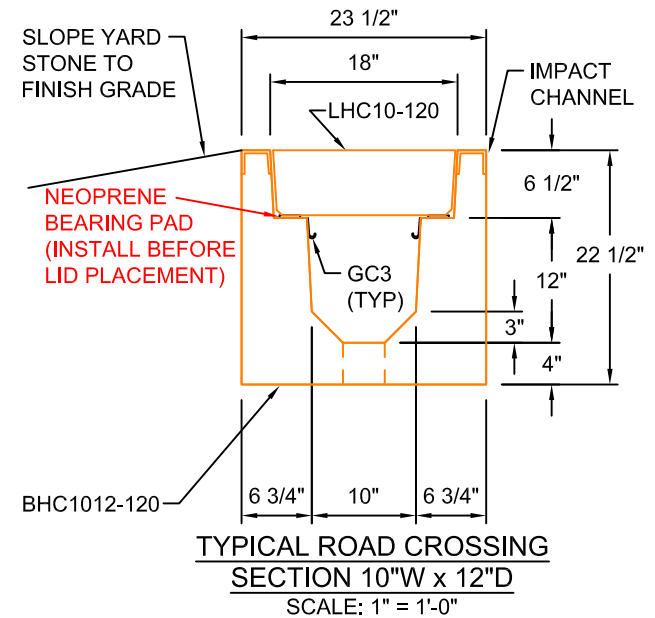


**LHC10-120**  
 SCALE: 1/2" = 1'-0"  
 WEIGHT: 1130 #



**BHC1012-120**  
 SCALE: 1/2" = 1'-0"  
 WEIGHT: 3005 #

\*GC3 (GROUND CLIPS) OPTIONAL



**AASHTO HS20 DESIGN**  
**(32,000 LBS / AXLE)**

<b>Trenwa Inc.</b>	
1419 ALEXANDRIA PIKE FORT THOMAS, KY 41075 859-781-0831	
<b>TYPICAL ROAD CROSSING BASE, LID &amp; SECTION FOR 10" WIDE x 12" DEEP TRENCH</b>	
Date: 7/6/16	Dwg. No. BHC1012-120