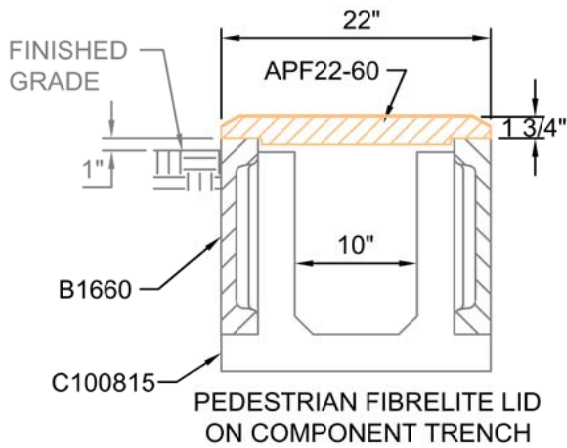


# APF22-60

SCALE: 1" = 1'-0"

WEIGHT: 33#

**PEDESTRIAN RATED**



<b>Trenwa Inc.</b>	
1419 ALEXANDRIA PIKE FORT THOMAS, KY 41075 859-781-0831	
<b>PEDESTRIAN FIBRELITE LID &amp; SECTION FOR 10" WIDE COMPONENT TRENCH</b>	
Date: 4/4/17	Dwg. No. APF22-60