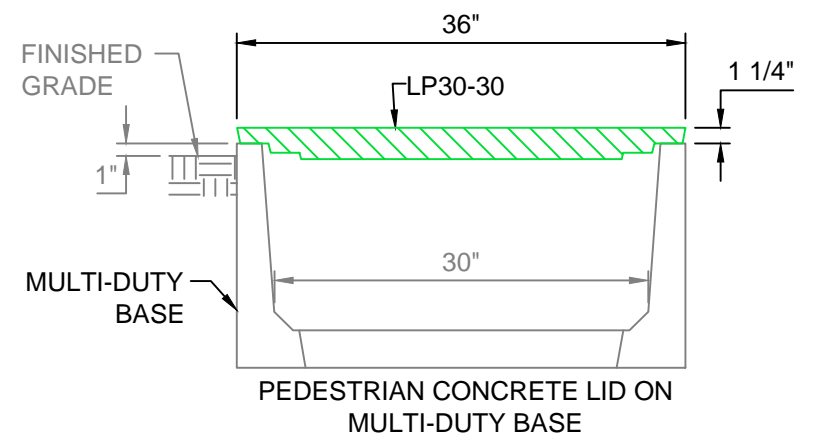


LP30-30
 SCALE: 1" = 1'-0"
 WEIGHT: 92 #
PEDESTRIAN RATED



Trenwa Inc.	
1419 ALEXANDRIA PIKE FORT THOMAS, KY 41075 859-781-0831	
PEDESTRIAN CONCRETE LID & SECTION FOR 30" WIDE MULTI-DUTY TRENCH	
Date: 9/20/17	Dwg. No. LP30-30