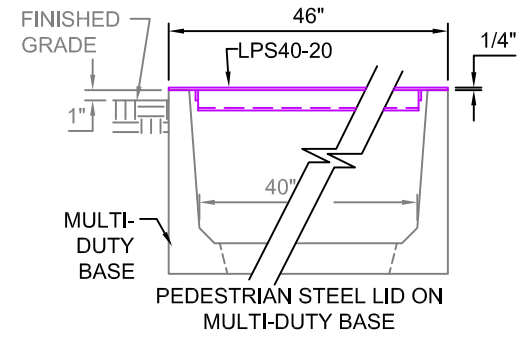


**LPS40-20**  
 SCALE: 1"=1'-0"  
 WEIGHT: 97#  
**PEDESTRIAN RATED**



<b>Trenwa Inc.</b>	
1419 ALEXANDRIA PIKE FORT THOMAS, KY 41075 859-781-0831	
<b>PEDESTRIAN STEEL LID &amp; SECTION FOR 40" WIDE MULTI-DUTY TRENCH</b>	
Date: 3/20/17	Dwg. No. LPS40-20