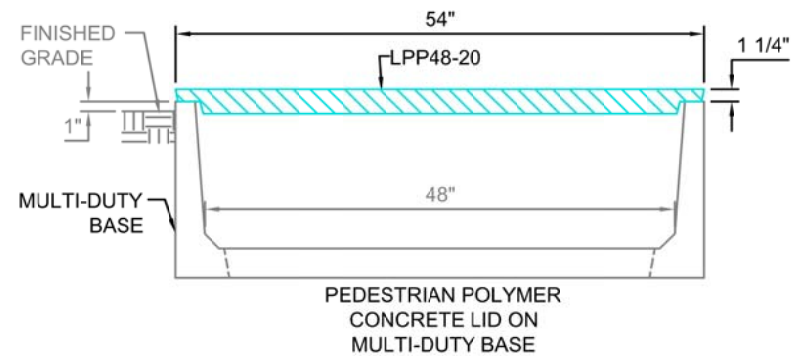


**LPP48-20**  
 SCALE: 1" = 1'-0"  
 WEIGHT: 90 #  
**PEDESTRIAN RATED**



<b>Trenwa Inc.</b>	
1419 ALEXANDRIA PIKE FORT THOMAS, KY 41075 859-781-0831	
<b>PEDESTRIAN POLYMER CONCRETE LID &amp; SECTION FOR 48" WIDE MULTI-DUTY TRENCH</b>	
Date: 3/16/17	Dwg. No. LPP48-20