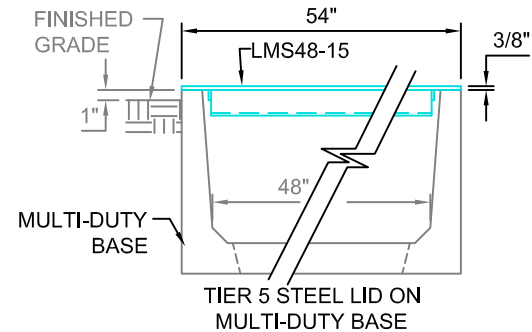


LMS48-15
 SCALE: 1"=1'-0"
 WEIGHT: 130#
TIER 5 RATED



Trenwa Inc.		
1419 ALEXANDRIA PIKE FORT THOMAS, KY 41075 859-781-0831		
TIER 5 STEEL LID & SECTION FOR 48" WIDE MULTI-DUTY TRENCH		
Date: 3/14/17	Dwg. No. LMS48-15	