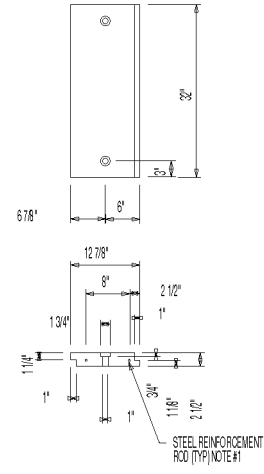
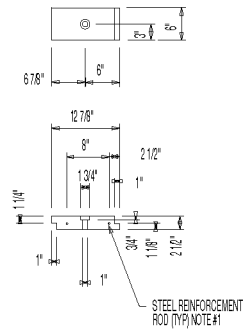


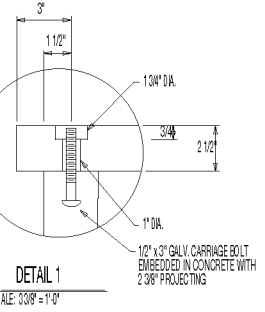
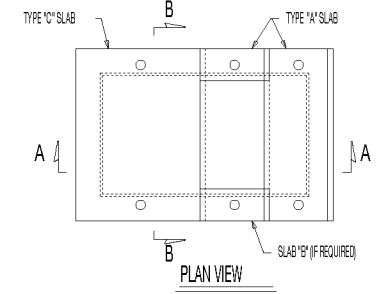
**SLAB C**  
FPC 320-166  
1 EACH



**SLAB A**  
FPC 320-162  
2 EACH



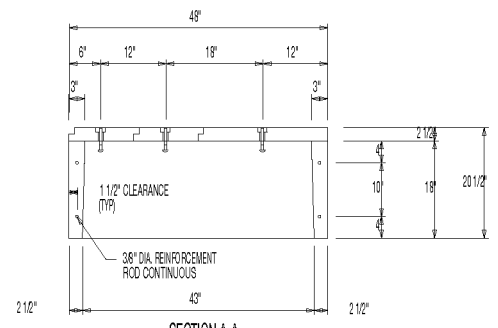
**SLAB B**  
2 REQUIRED



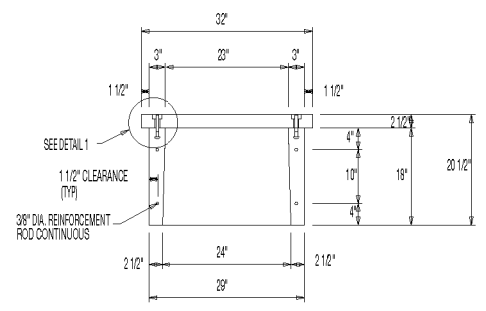
**DETAIL 1**  
SCALE: 3/8" = 1'-0"

**NOTES:**

1. STEEL REINFORCEMENT AS DIMENSIONED IN LID VIEWS TO BE 3/8" REBAR WELDED INTO COMPLETE LOOPS.
2. CONCRETE SHALL BE 4000 PSI MIX OR BETTER AND SHALL SHOW A 3000 PSI COMPRESSIVE STRENGTH AT DELIVERY.
3. DIMENSIONS SHOWN ARE NOMINAL TAPERING TO FACILITATE REMOVAL OF FORMS IS PERMISSIBLE.
4. FORMING CONCRETE STEEL AND ROD PLACEMENT AND CURING SHALL CONFORM TO LATEST APPLICABLE ACI CODE. MAXIMUM TOLERANCE ON DIMENSIONS IS 1/8".



**SECTION A-A**  
FPC 320-164



**SECTION B-B**  
320154

NO.	DATE	BY	REVISION
<b>TRENWA INC.</b>			
1415 HAZARDING AVE. SCALE: 1" = 1'-0"		FOR TRENWA, INC. #415 DRAWN BY: DATE: JULY 3, 1999	
PRECAST MOUNTING BOX FOR 15-167 KVA		APPROVED BY: 869-781-0801	
SINGLE PHASE PAD-MOUNTED TRANSFORMER			DRAWING NUMBER 320154