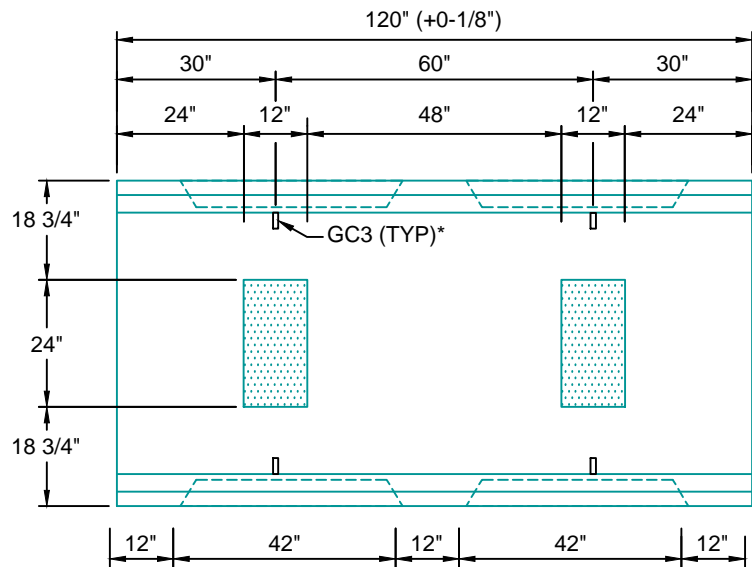
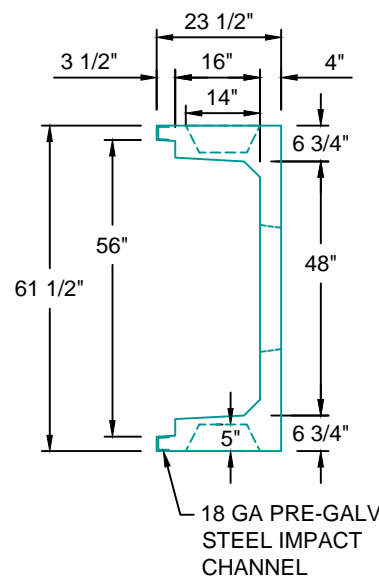


TYPICAL LIGHT TRAFFIC SECTION WITH CONCRETE LID 48"W x 16"D
SCALE: 1" = 1'-0"



BL4816-120
SCALE: 1/2" = 1'-0"
WEIGHT: 4487#



H10 DESIGN
(16,000 LBS / AXLE)

*GC3 (GROUND CLIPS) OPTIONAL

Trenwa Inc.		
1419 ALEXANDRIA PIKE	FORT THOMAS, KY 41075	859-781-0831
TYPICAL LIGHT TRAFFIC BASE, CONCRETE LID & SECTION FOR 48" WIDE x 16" DEEP TRENCH		
Date:	Dwg. No.	
10/19/2017	BL4816-120	