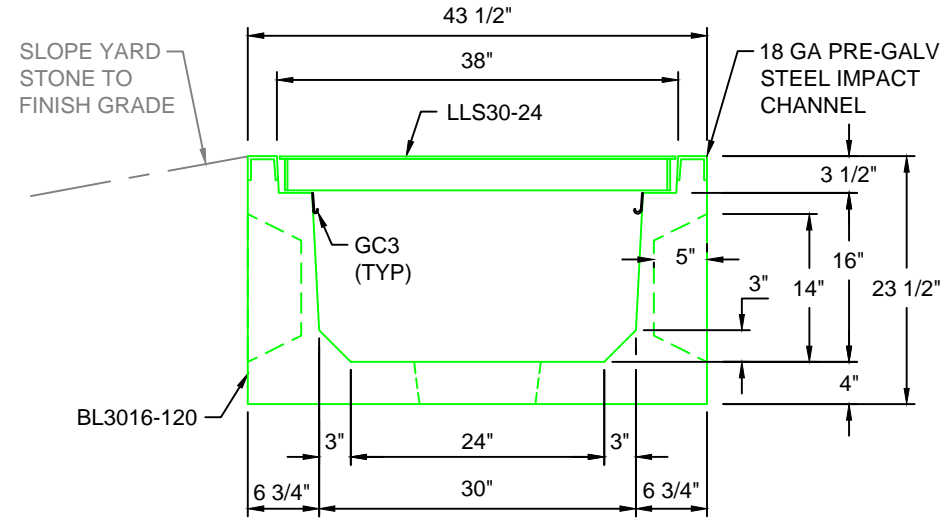
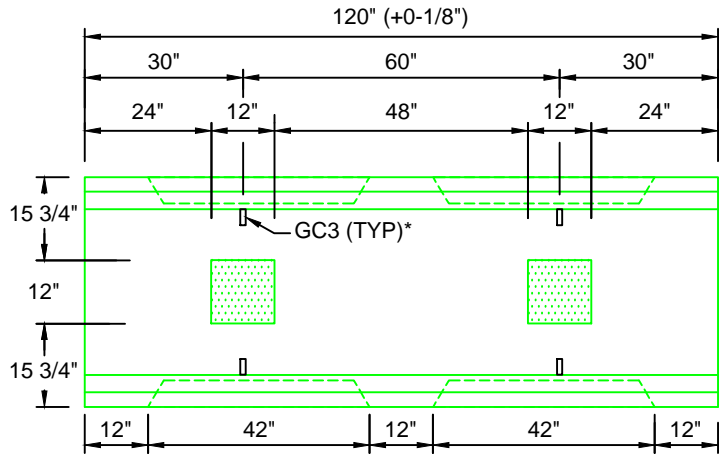


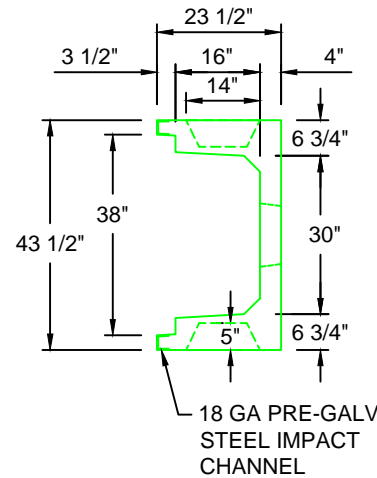
BILL OF MATERIAL	
QTY	DESCRIPTION
1	CHECKER PLATE, 37 1/2" x 23 15/16" x 1/4"
4	3" x 2" x 1/4" ANGLE, 36 1/2" LENGTH
2	3/16" x 2 1/2" FLAT BAR, 23 7/16" LENGTH
2	3/16" x 2" FLAT BAR, 23 7/16" LENGTH



**TYPICAL LIGHT TRAFFIC SECTION
WITH STEEL LID 30"W x 16"D**
SCALE: 1" = 1'-0"



BL3016-120
SCALE: 1/2" = 1'-0"
WEIGHT: 3853 #



**H10 DESIGN
(16,000 LBS / AXLE)**

Trenwa Inc.

1419 ALEXANDRIA PIKE FORT THOMAS, KY 41075 859-781-0831

**TYPICAL LIGHT TRAFFIC BASE, STEEL LID &
SECTION FOR 30" WIDE x 16" DEEP TRENCH**

Date:
9/22/2017

Dwg. No.
BL3016-120

*GC3 (GROUND CLIPS) OPTIONAL