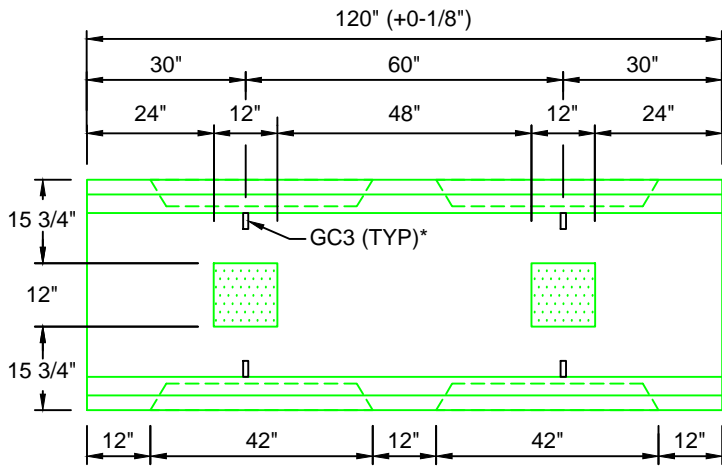
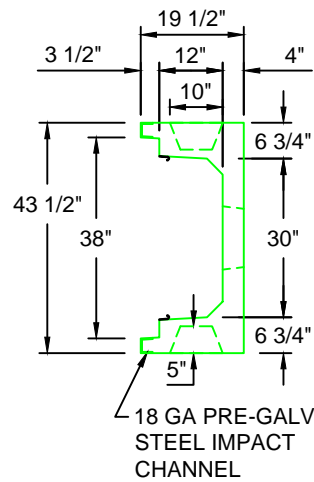


**TYPICAL LIGHT TRAFFIC SECTION WITH CONCRETE LID 30"W x 12"D**  
SCALE: 1" = 1'-0"



**BL3012-120**  
SCALE: 1/2" = 1'-0"  
WEIGHT: 3324#



**H10 DESIGN**  
**(16,000 LBS / AXLE)**

<b>Trenwa Inc.</b>		
1419 ALEXANDRIA PIKE FORT THOMAS, KY 41075 859-781-0831		
<b>TYPICAL LIGHT TRAFFIC BASE, CONCRETE LID &amp; SECTION FOR 30" WIDE x 12" DEEP TRENCH</b>		
Date:	Dwg. No.	
9/25/17	BL3012-120	