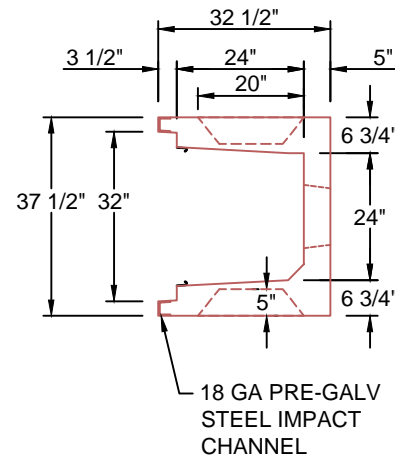
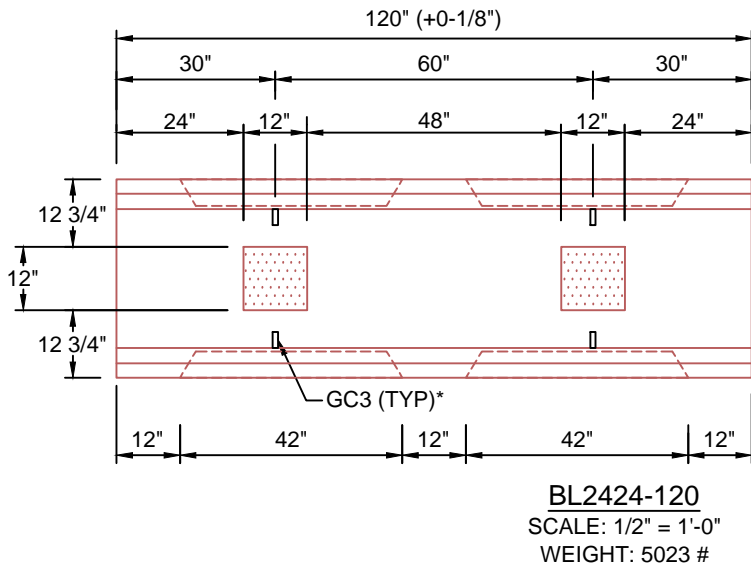


**TYPICAL LIGHT TRAFFIC SECTION
WITH STEEL LID 24"W x 24"D**
SCALE: 1" = 1'-0"



*GC3 (GROUND CLIPS) OPTIONAL

Trenwa Inc.		
1419 ALEXANDRIA PIKE FORT THOMAS, KY 41075 859-781-0831		
TYPICAL LIGHT TRAFFIC BASE, STEEL LID & SECTION FOR 24" WIDE x 24" DEEP TRENCH		
Date: 9/25/2017	Dwg. No. BL2424-120	