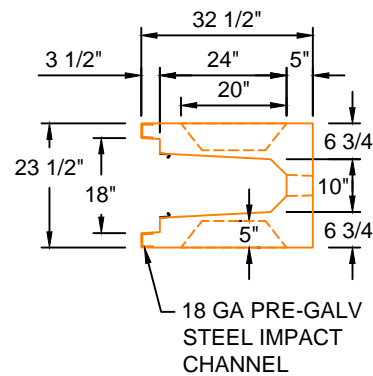
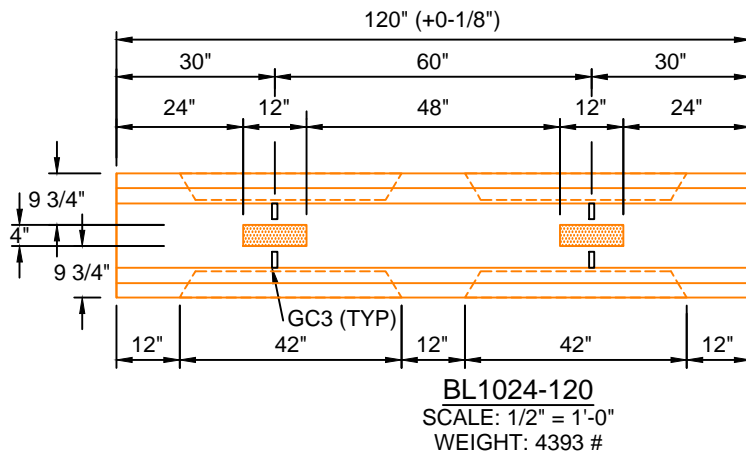


**TYPICAL LIGHT TRAFFIC SECTION
WITH CONCRETE LID 10"W x 24"D**
SCALE: 1" = 1'-0"



**H10 DESIGN
(16,000 LBS / AXLE)**

*GC3 (GROUND CLIPS) OPTIONAL

Trenwa Inc.		
1419 ALEXANDRIA PIKE FORT THOMAS, KY 41075 859-781-0831		
TYPICAL LIGHT TRAFFIC BASE, CONCRETE LID & SECTION FOR 10" WIDE x 24" DEEP TRENCH		
Date:	Dwg. No.	
10/19/2017	BL1024-120	