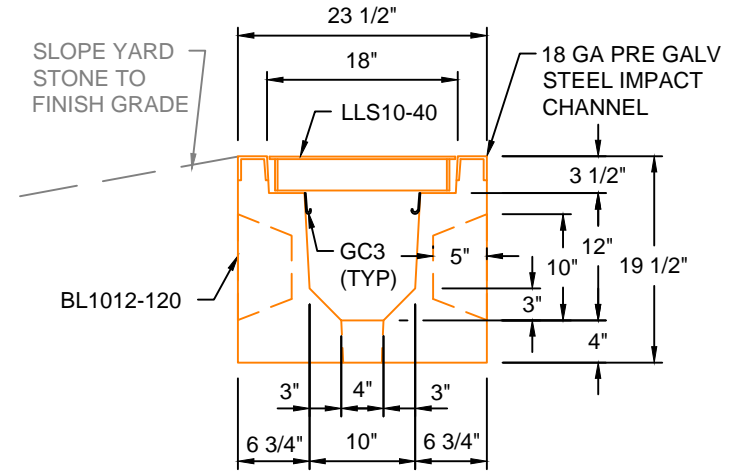
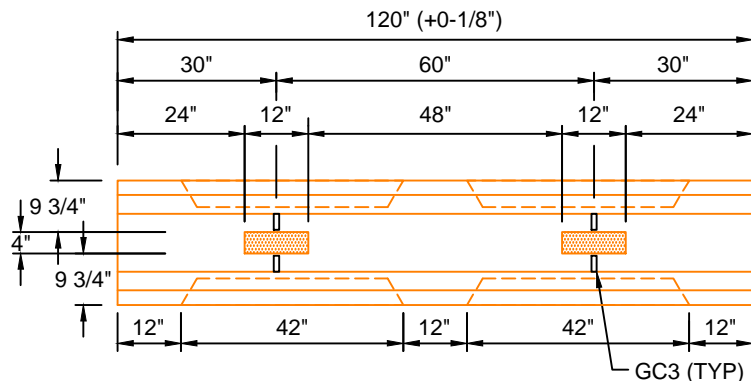


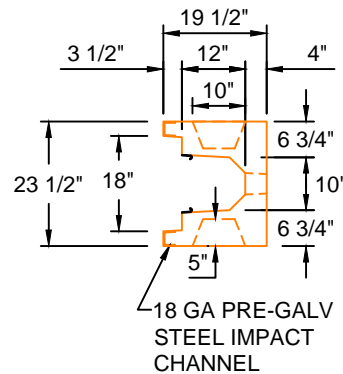
BILL OF MATERIAL	
QTY	DESCRIPTION
1	CHECKER PLATE, 39 15/16" x 17 1/2" x 1/4"
6	3" x 2" x 3/16" ANGLE, 16 1/2" LENGTH
2	3/16" x 2 1/2" x 39 7/16" FLAT BAR
2	3/16" x 2" x 39 7/16" FLAT BAR



**TYPICAL LIGHT TRAFFIC SECTION WITH STEEL LID 10"W x 12"D**  
 SCALE: 1" = 1'-0"



**BL1012-120**  
 SCALE: 1/2" = 1'-0"  
 WEIGHT: 2576 #



**H10 DESIGN**  
**(16,000 LBS / AXLE)**

<b>Trenwa Inc.</b>		
1419 ALEXANDRIA PIKE FORT THOMAS, KY 41075 859-781-0831		
<b>TYPICAL LIGHT TRAFFIC BASE, STEEL LID &amp; SECTION FOR 10" WIDE x 12" DEEP TRENCH</b>		
Date:	Dwg. No.	
10/6/17	BL1012-120	