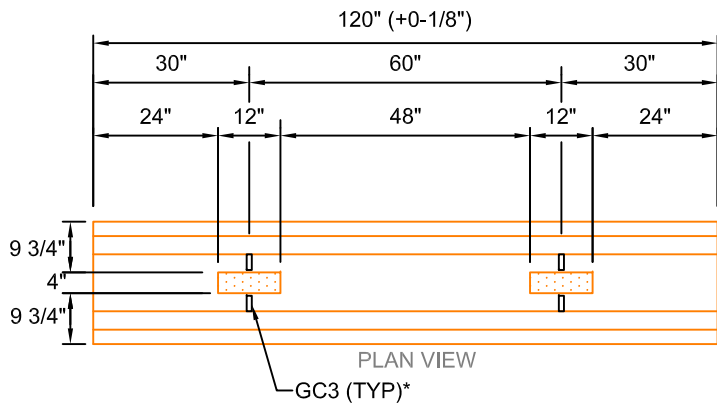
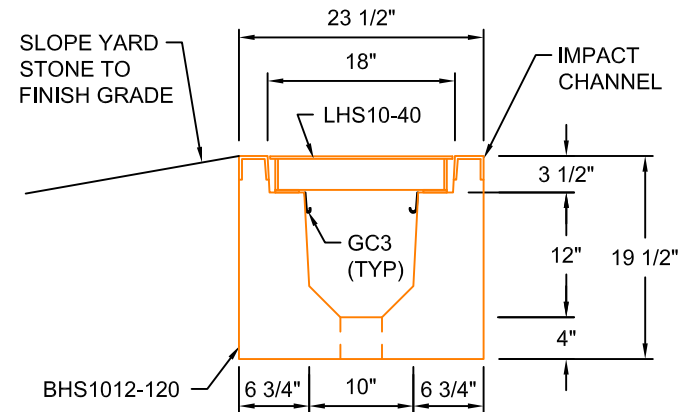
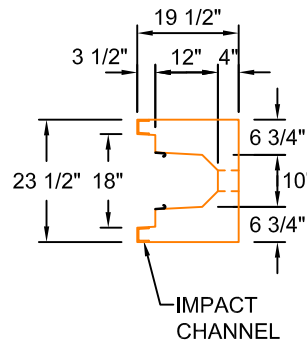


LHS10-40
 SCALE: 3/4"=1'-0"
 WEIGHT: 114 #



BHS1012-120
 SCALE: 1/2" = 1'-0"
 WEIGHT: 2833 #

*GC3 (GROUND CLIPS) OPTIONAL



TYPICAL ROAD CROSSING SECTION WITH STEEL LID
10"W x 12"D
 SCALE: 1"=1'-0"

AASHTO HS20 DESIGN
(32,000 LBS / AXLE)

Trenwa Inc.	
1419 ALEXANDRIA PIKE FORT THOMAS, KY 41075 859-781-0831	
TYPICAL ROAD CROSSING BASE, STEEL LID & SECTION FOR 10" WIDE x 12" DEEP TRENCH	
Date: 3/8/17	Dwg. No. BHS1012-120