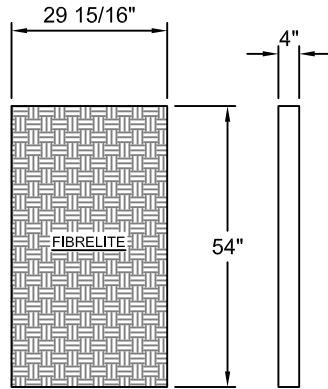
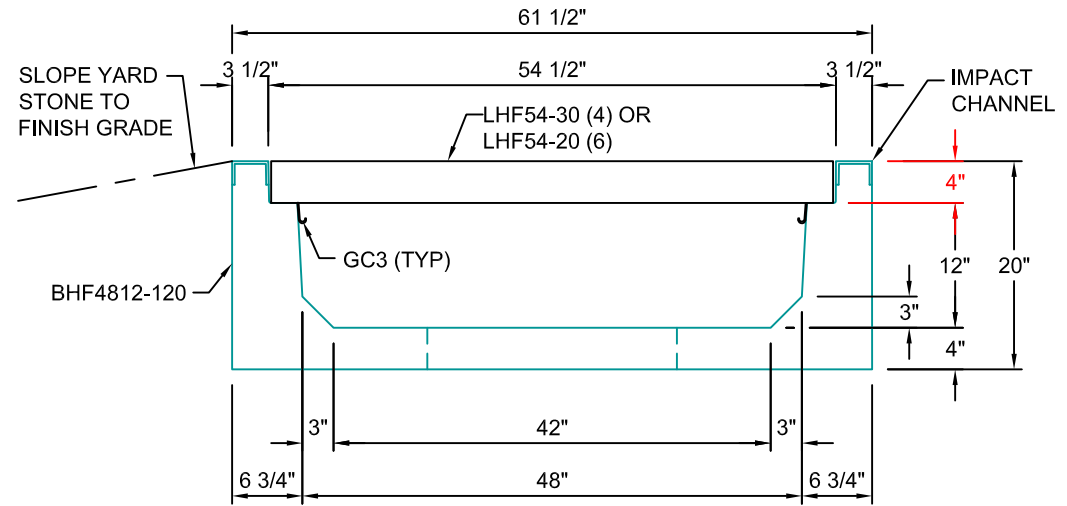


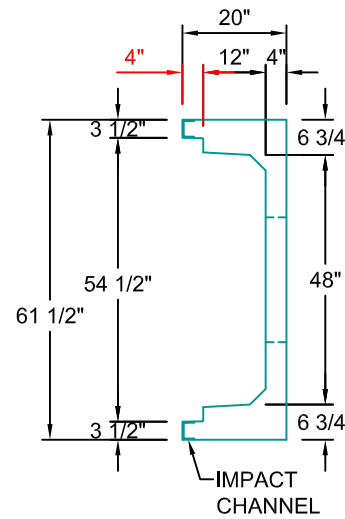
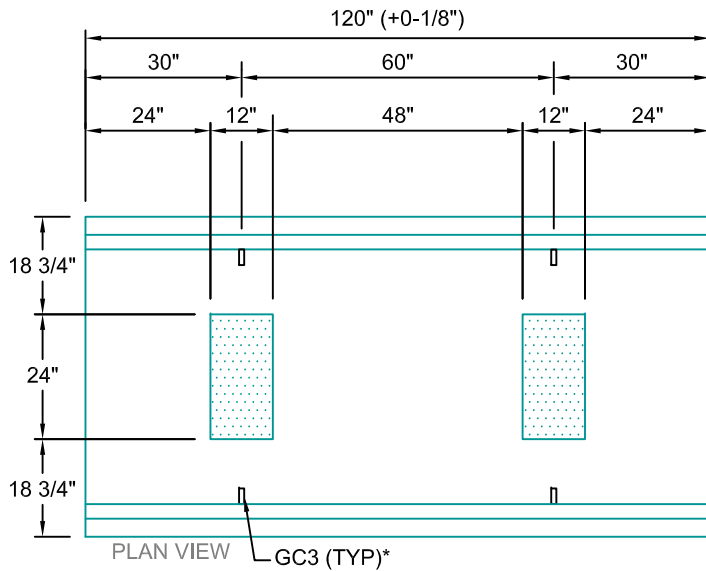
**LHF54-20**  
SCALE: 1/2" = 1'-0"  
WEIGHT: 90 #



**LHF54-30**  
SCALE: 1/2" = 1'-0"  
WEIGHT: 108 #



**TYPICAL ROAD CROSSING SECTION WITH FIBRELITE LID**  
**48"W x 12"D**  
SCALE: 1"=1'-0"



**AASHTO HS20 DESIGN**  
**(32,000 LBS / AXLE)**

\*GC3 (GROUND CLIPS) OPTIONAL

**BHF4812-120**  
SCALE: 1/2" = 1'-0"  
WEIGHT: 4267 #

<b>Trenwa Inc.</b>		
1419 ALEXANDRIA PIKE FORT THOMAS, KY 41075 859-781-0831		
<b>TYPICAL ROAD CROSSING BASE, FIBRELITE LID &amp; SECTION FOR 48" WIDE x 12" DEEP TRENCH</b>		
Date:	Dwg. No.	
1/26/17	BHF4812-120	