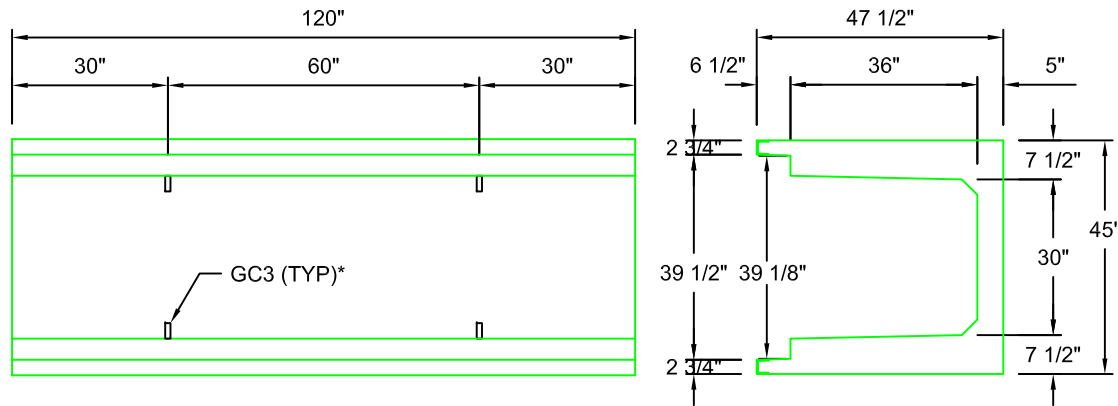


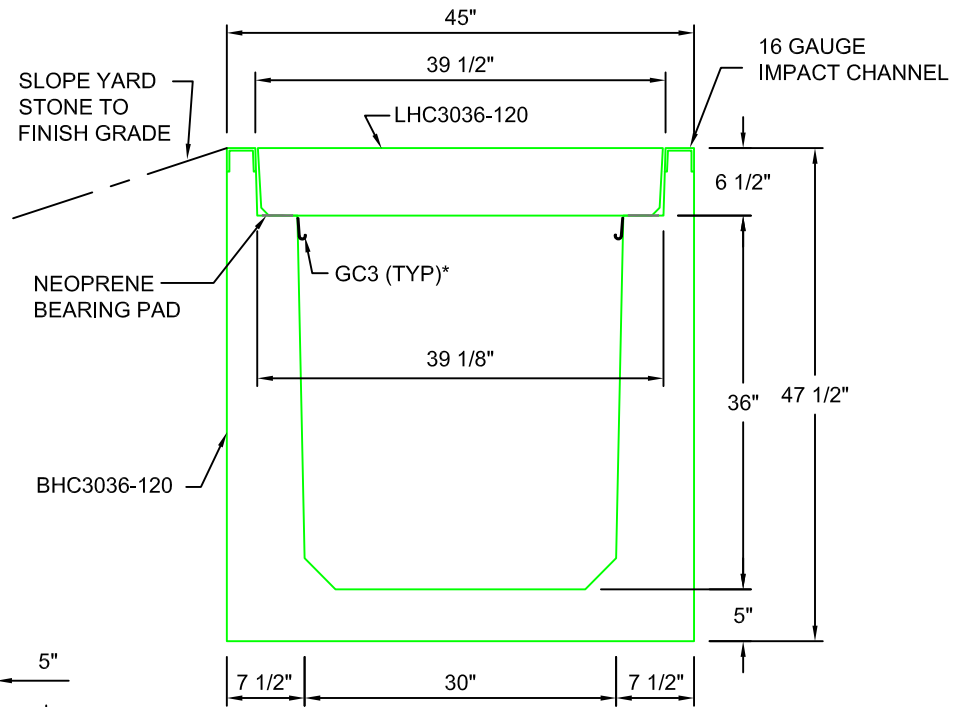
**LHC3036-120**

SCALE: 1/2"=1'-0"



**BHC3036-120**

SCALE: 1/2"=1'-0"



**TYPICAL ROAD CROSSING  
SECTION 30"W x 36"D**

SCALE: 1"=1'-0"

**AASHTO HS20 DESIGN  
(32,000 LBS / AXLE)**

**Trenwa Inc.**

1419 ALEXANDRIA PIKE FORT THOMAS, KY 41075 859-781-0831

**TYPICAL ROAD CROSSING BASE, LID &  
SECTION FOR 30" WIDE x 36" DEEP TRENCH**

Date:  
11/4/2008

Dwg. No.  
BHC3036-120 STD

\*GC3 (GROUND CLIPS) OPTIONAL