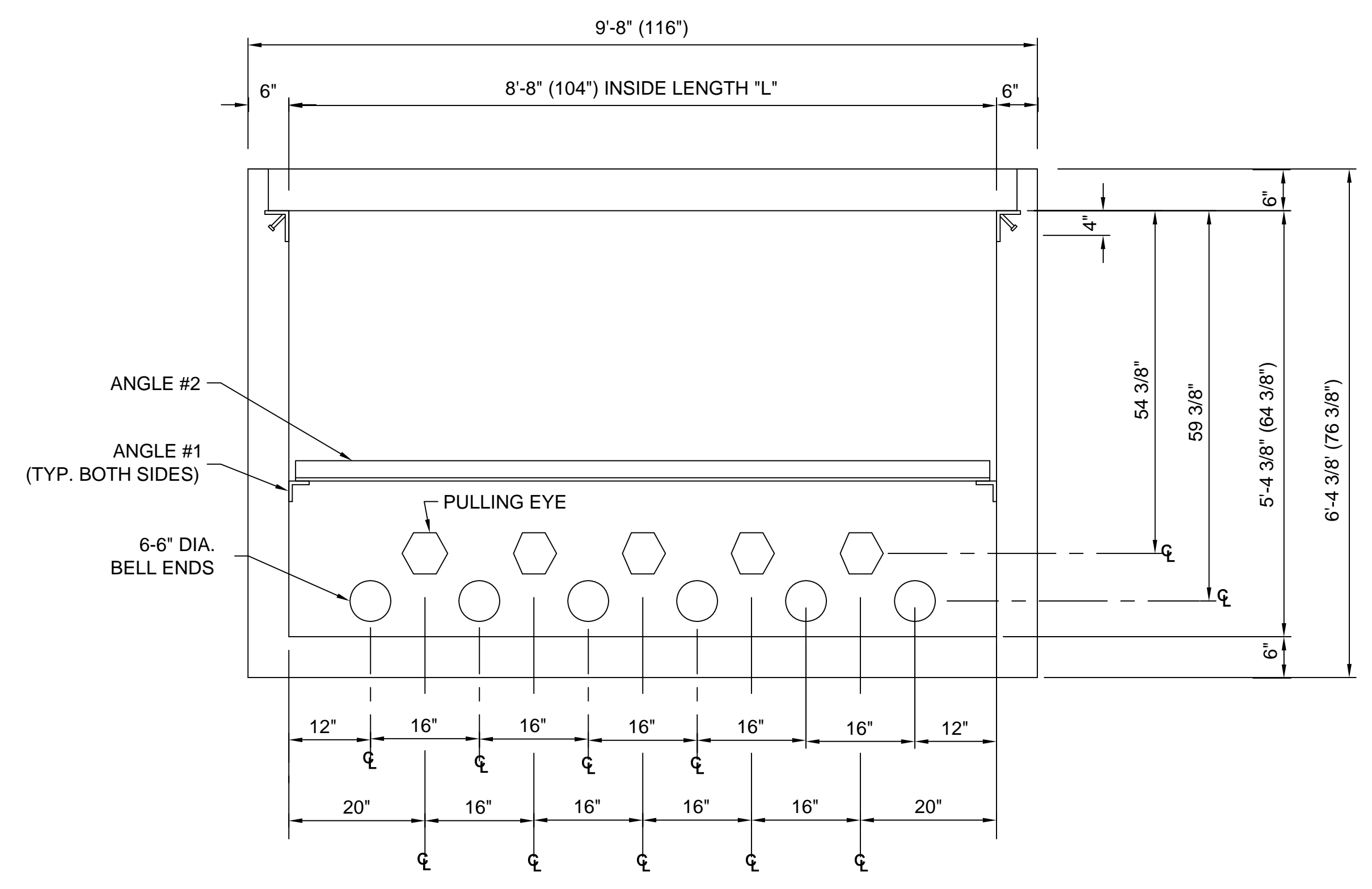
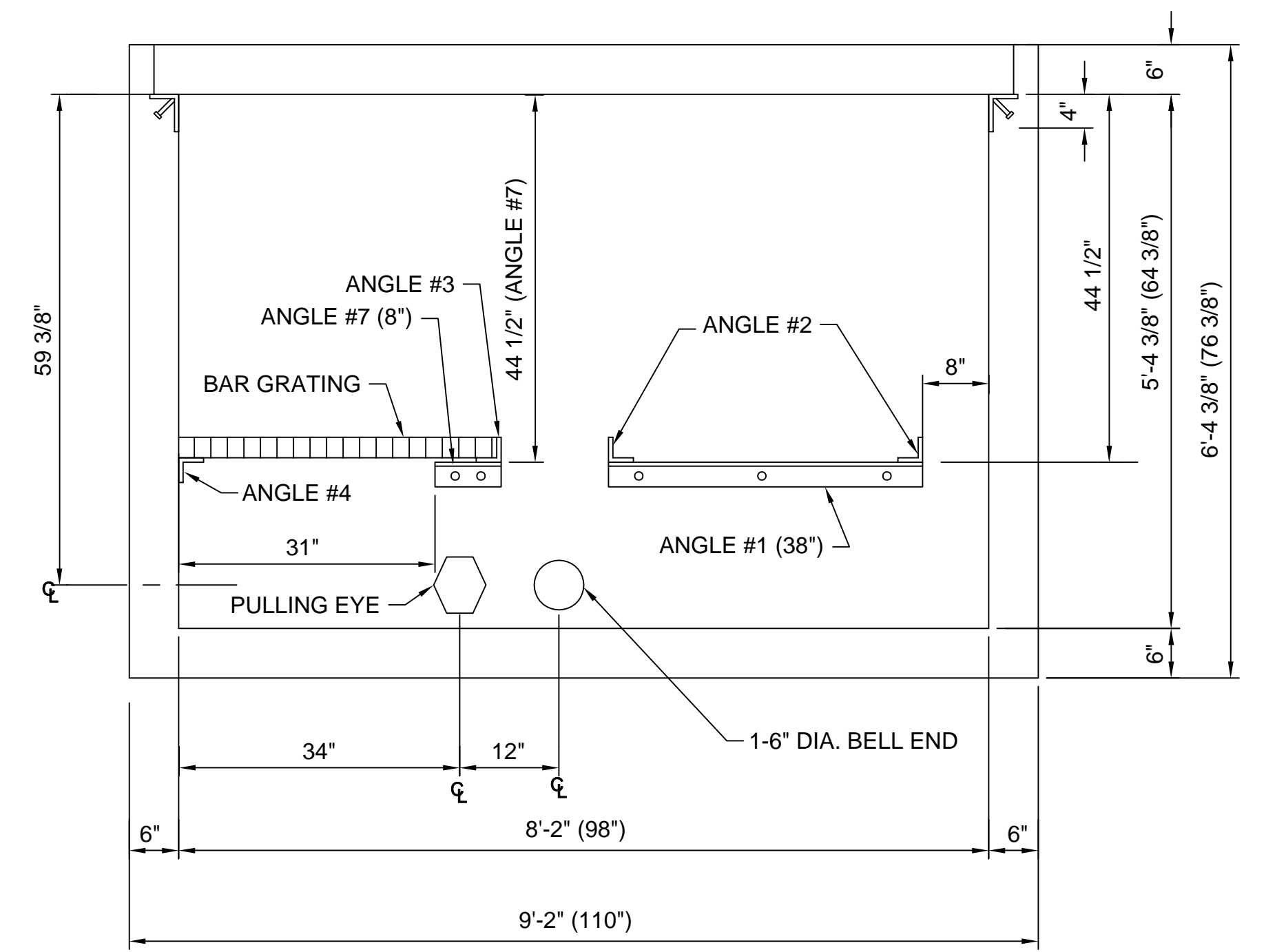


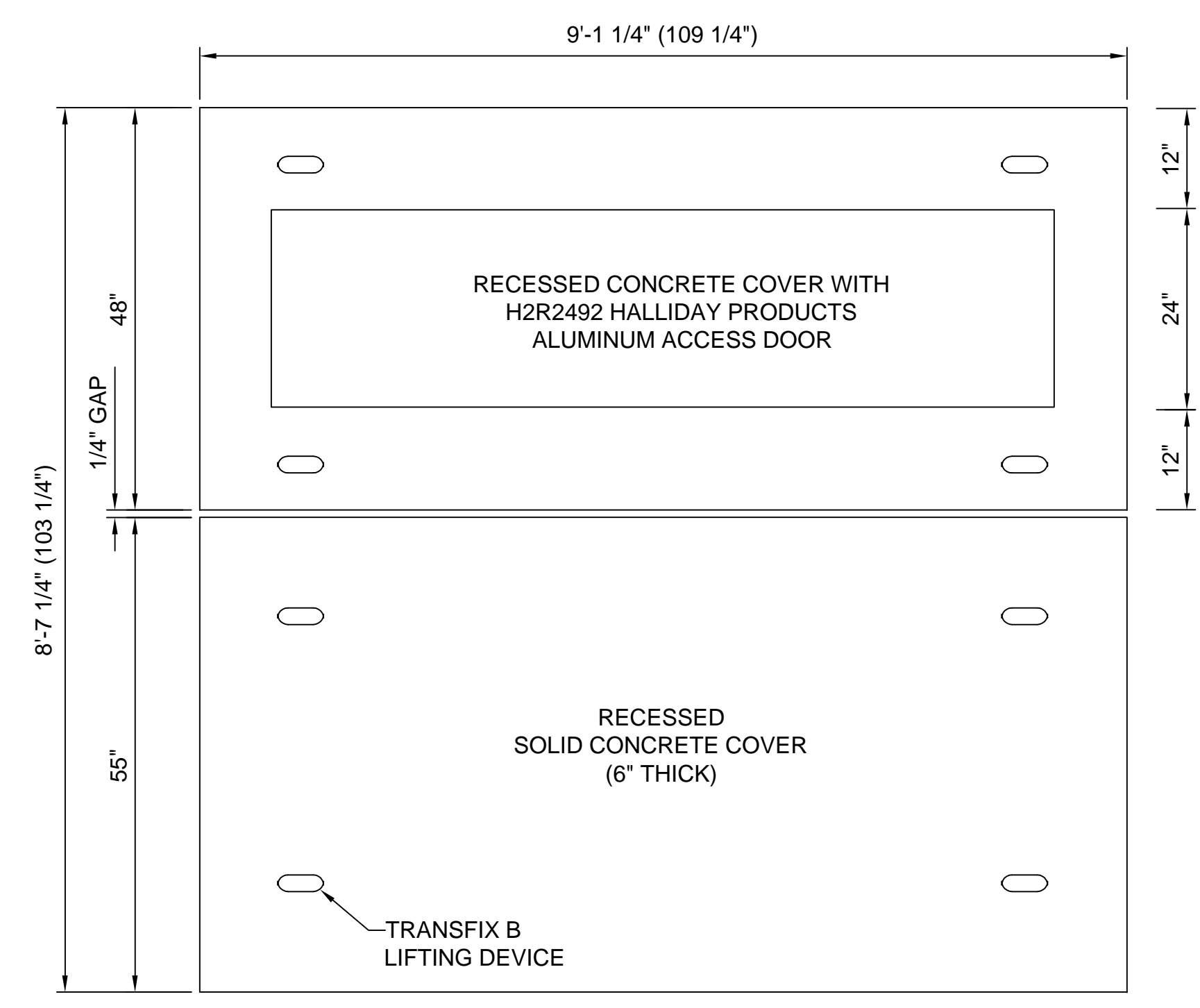
**PLAN VIEW**  
(ANGLE SUPPORTS OMITTED FOR CLARITY)



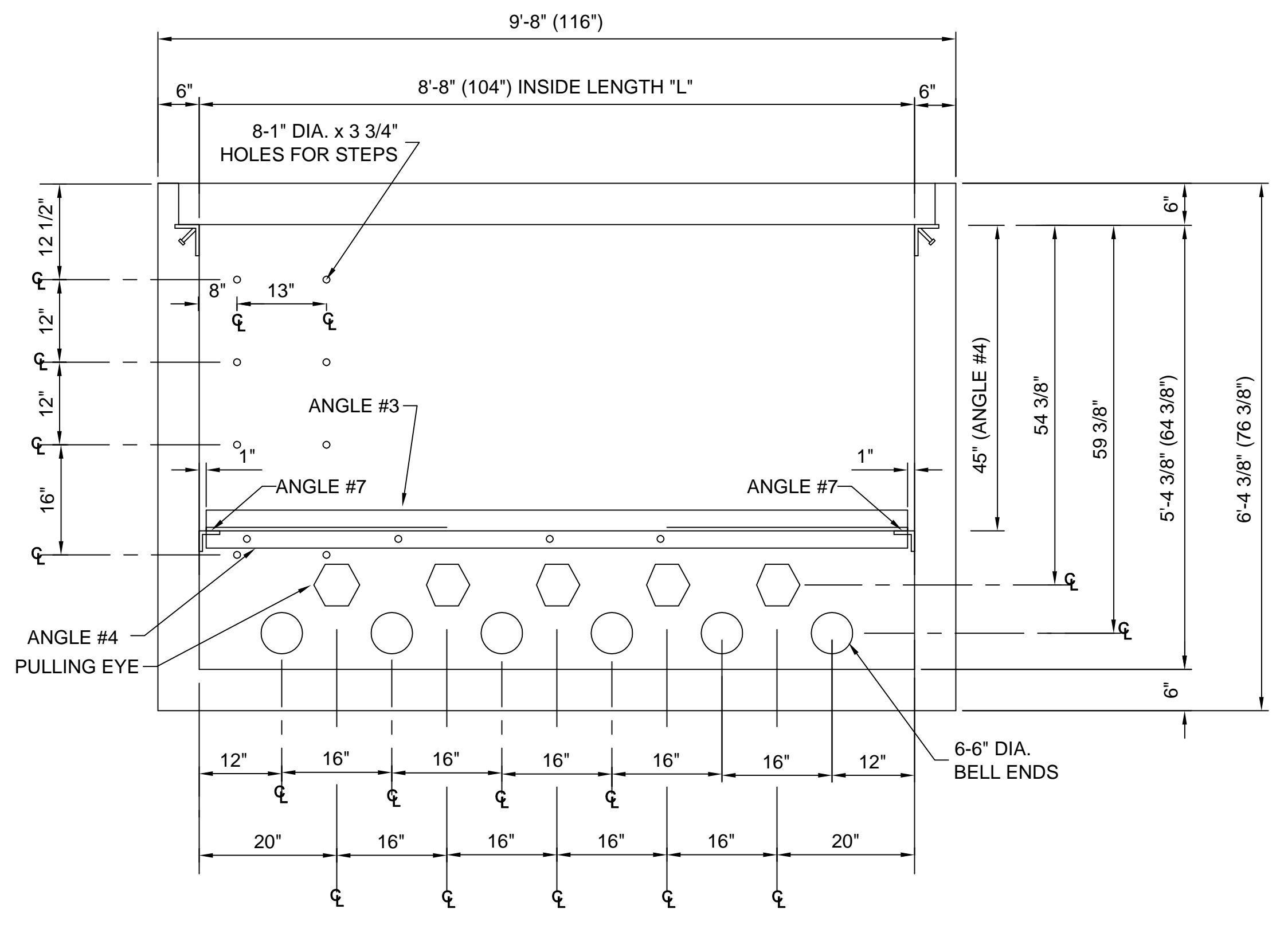
**DETAIL SIDE "A"**  
SWITCH GEAR END  
(STANDING INSIDE BOX)



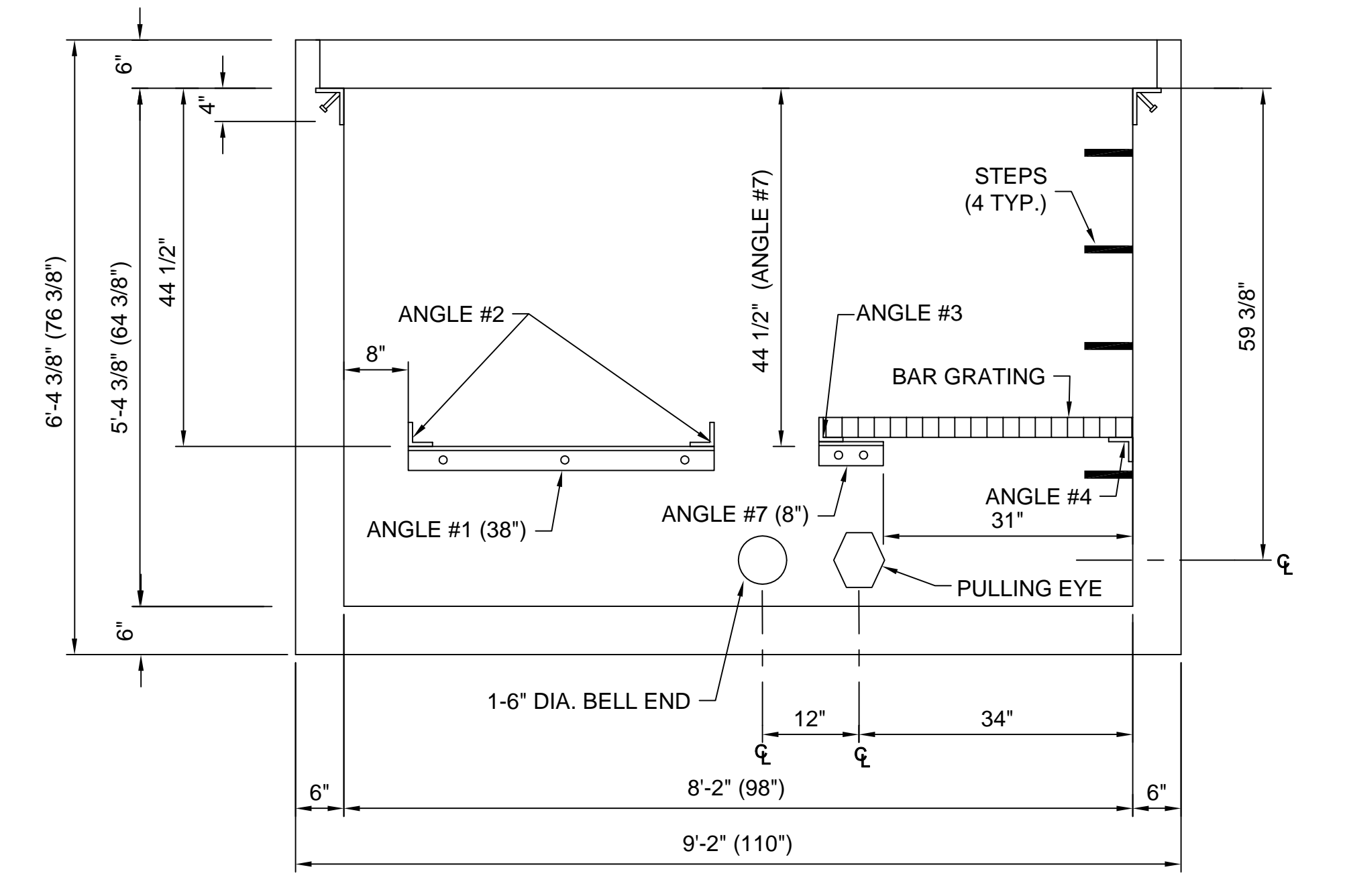
**DETAIL SIDE "B"**  
(STANDING INSIDE BOX)



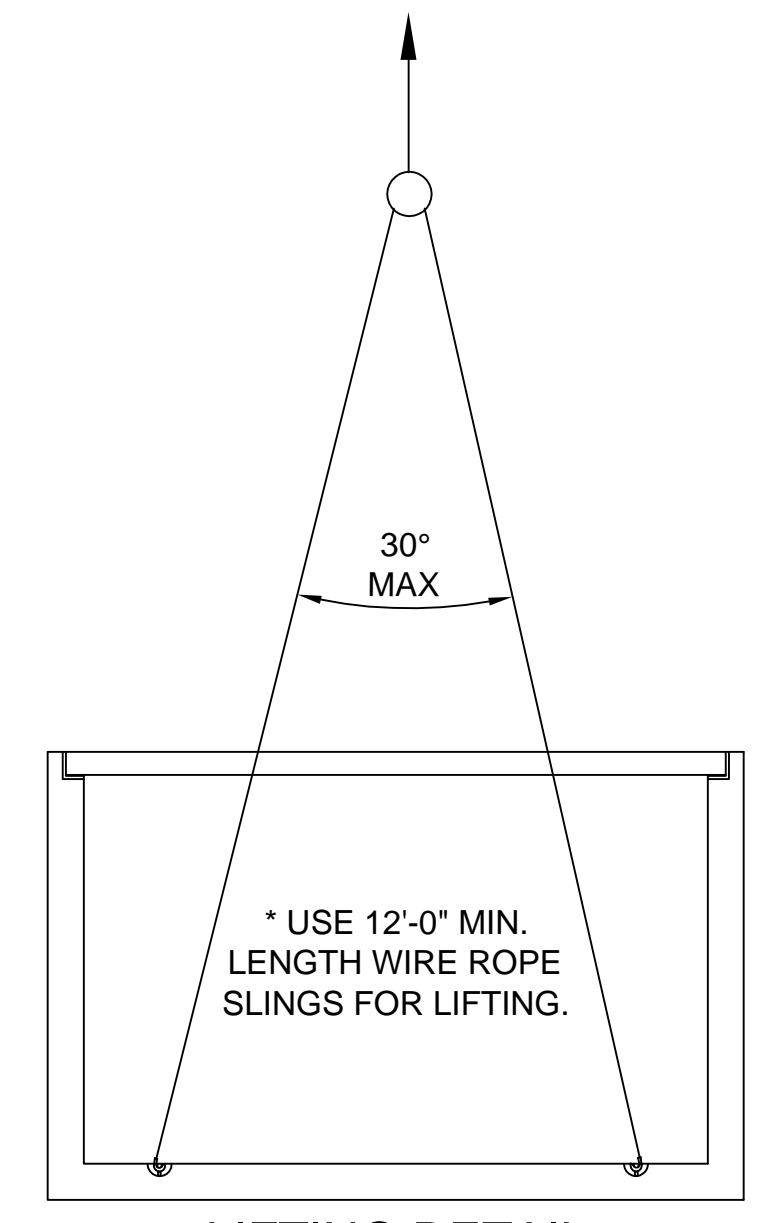
**PLAN VIEW - LID**  
LID LIVE LOAD = 300 PSF  
(NOT DESIGNED FOR VEHICULAR TRAFFIC)



**DETAIL SIDE "C"**  
(STANDING INSIDE BOX)



**DETAIL SIDE "D"**  
(STANDING INSIDE BOX)



**LIFTING DETAIL**

\* USE 12'-0" MIN. LENGTH WIRE ROPE SLINGS FOR LIFTING.

**NOTE:**  
CONCRETE WEIGHT = 23,000#  
ACCESS LID WEIGHT = 1,575#  
SOLID LID WEIGHT = 3,100#

NO.	DATE	BY	REVISION
<b>Trenwa Inc.</b>			
1419 ALEXANDRIA PIKE		FORT THOMAS, KY 41075 859-781-0831	
SCALE: 3/4"=1'-0"		DRAWN BY: ORY APPROVED BY: S.W.	
DATE: July 17, 2003		ARCH D-SIZE DRAWING PLOT 1:1	
S & C ELECTRIC 15.5 KV VISTA SWITCHGEAR			DRAWING NUMBER
6 WAY LIGHT DUTY PULL BOX			<b>6-WAY-LD-C</b>