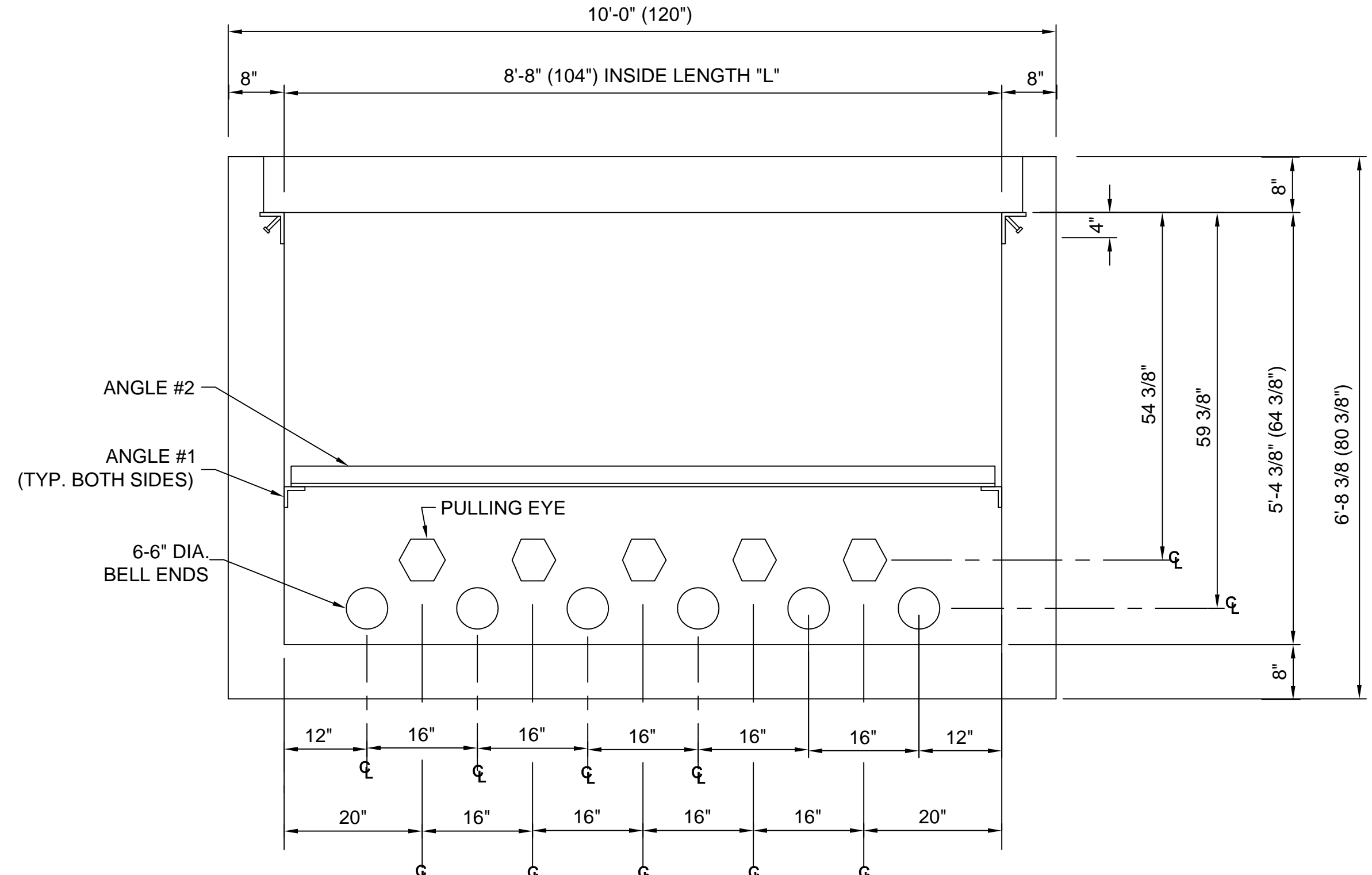
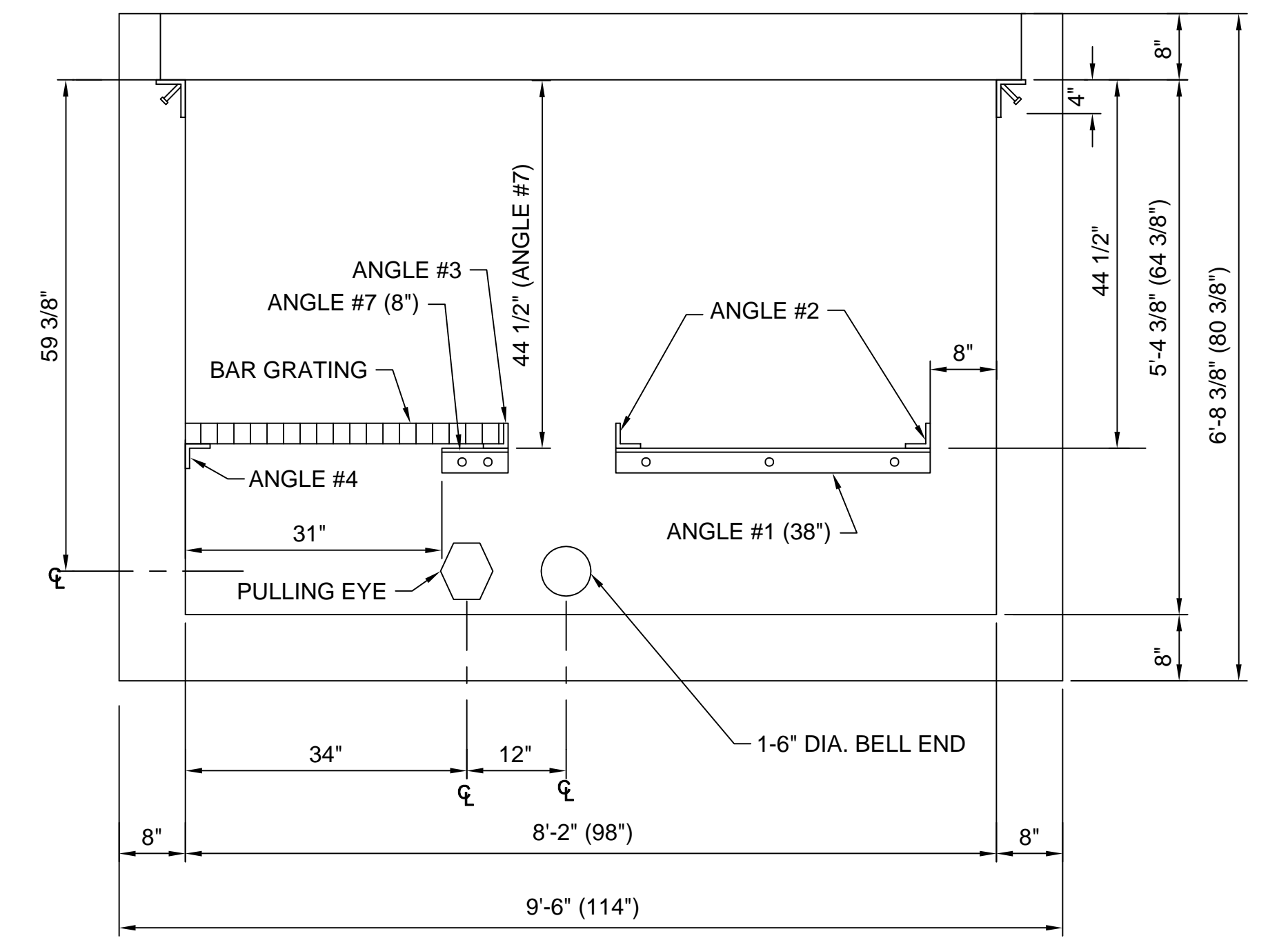


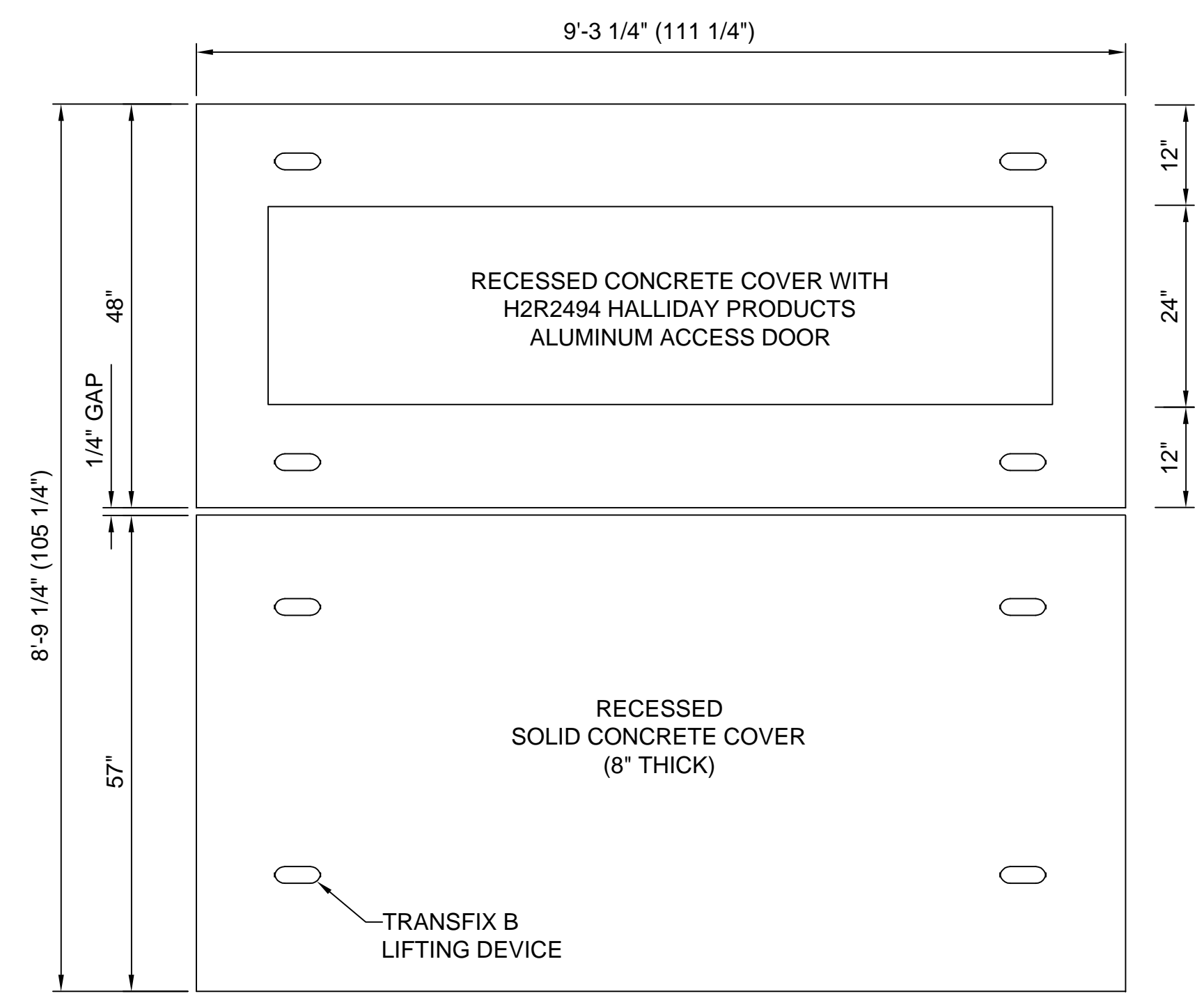
**PLAN VIEW**  
(ANGLE SUPPORTS OMITTED FOR CLARITY)



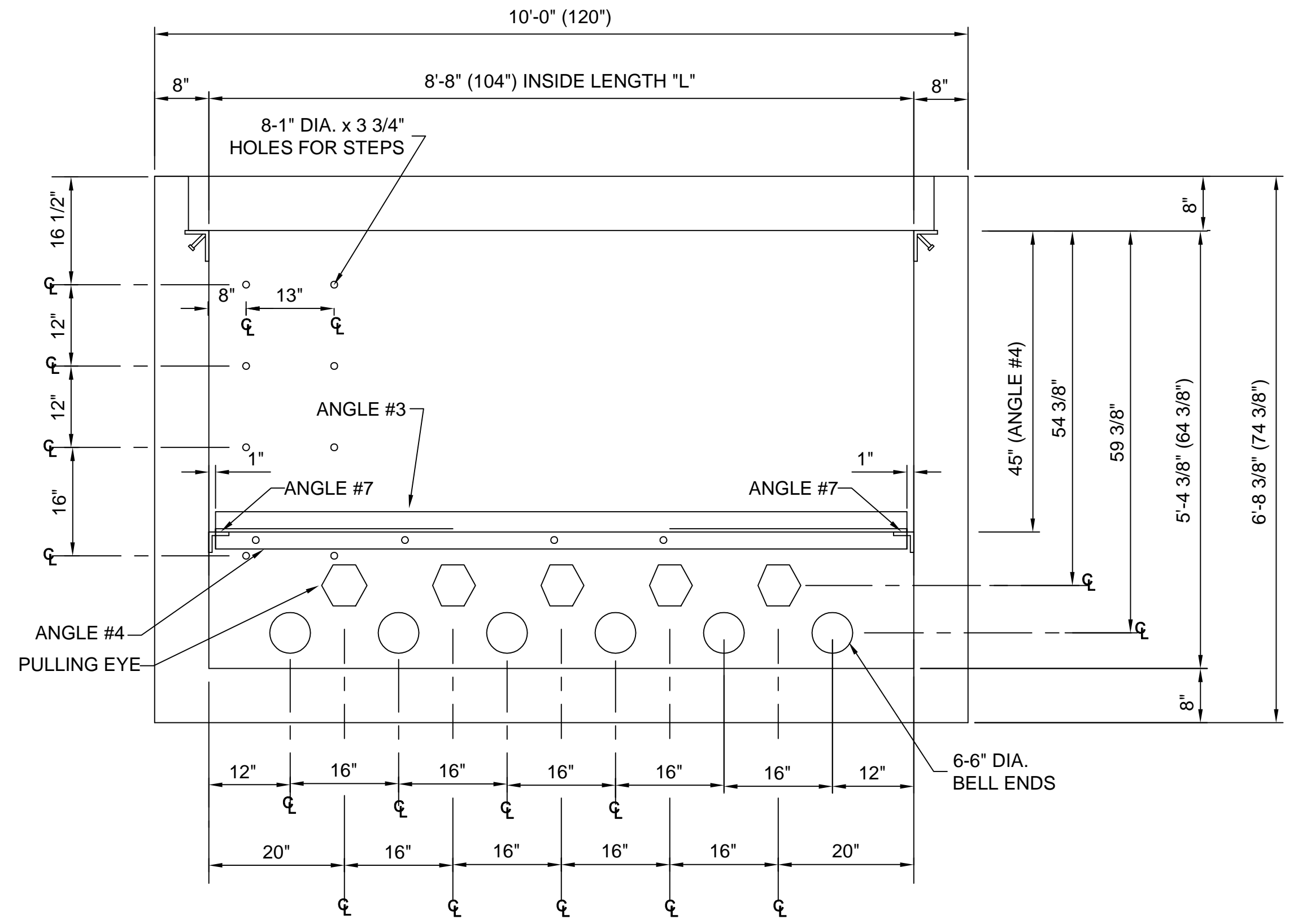
**DETAIL SIDE "A"**  
SWITCH GEAR END  
(STANDING INSIDE BOX)



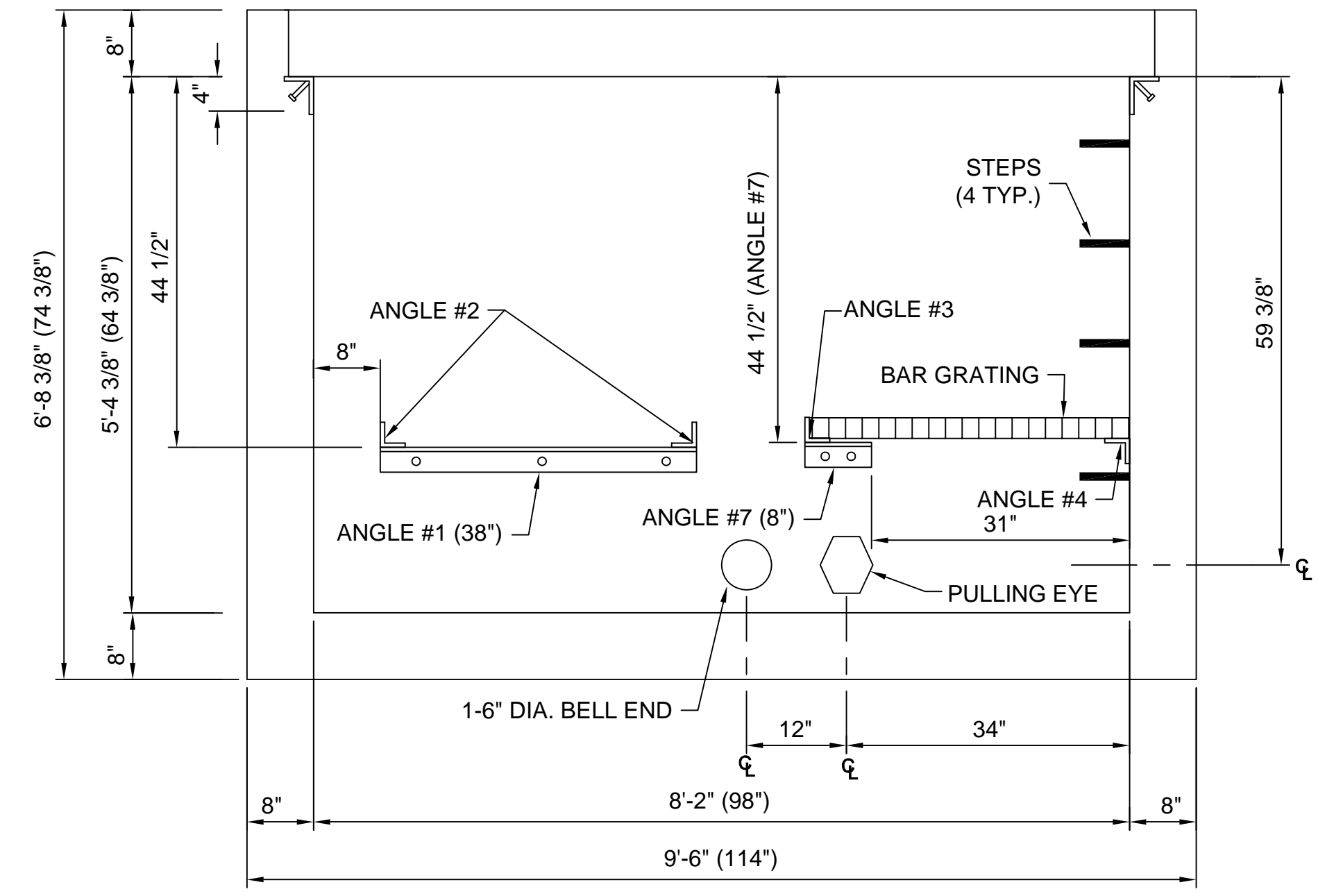
**DETAIL SIDE "B"**  
(STANDING INSIDE BOX)



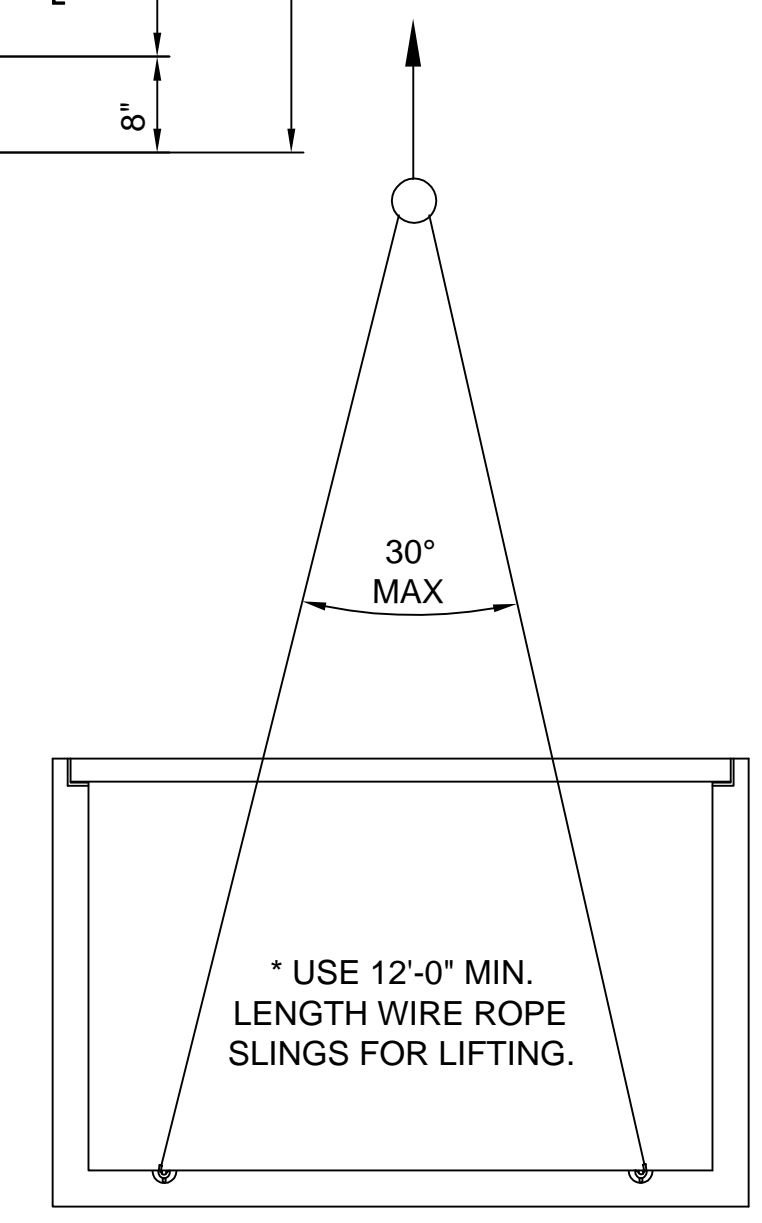
**PLAN VIEW - LID**  
H-20 DESIGN



**DETAIL SIDE "C"**  
(STANDING INSIDE BOX)



**DETAIL SIDE "D"**  
(STANDING INSIDE BOX)



**NOTE:**  
CONCRETE BASE WEIGHT = 31,850#  
SOLID LID WEIGHT = 4,250#  
ACCESS LID WEIGHT = 2,200#

NO.	DATE	BY	REVISION
<b>Trenwa Inc.</b>			
1419 ALEXANDRIA PIKE		FORT THOMAS, KY 41075 859-781-0831	
SCALE: 3/4"=1'-0"		DRAWN BY: ORY APPROVED BY: S.W.	
DATE: July 17, 2003		ARCH D-SIZE DRAWING PLOT 1:1	
S & C ELECTRIC 15.5 KV VISTA SWITCHGEAR			DRAWING NUMBER
6 WAY HEAVY DUTY PULL BOX			6-WAY-HD-C