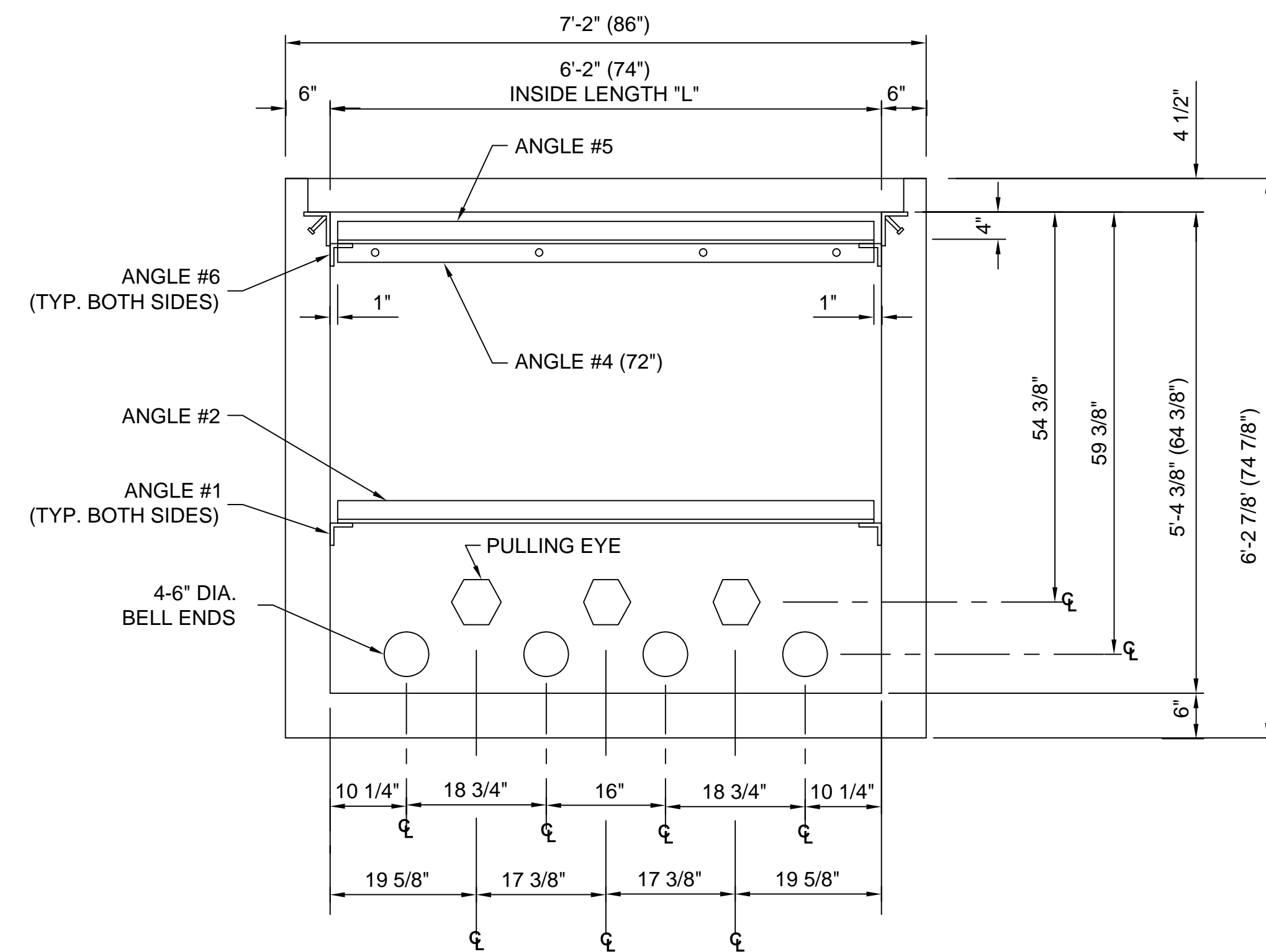
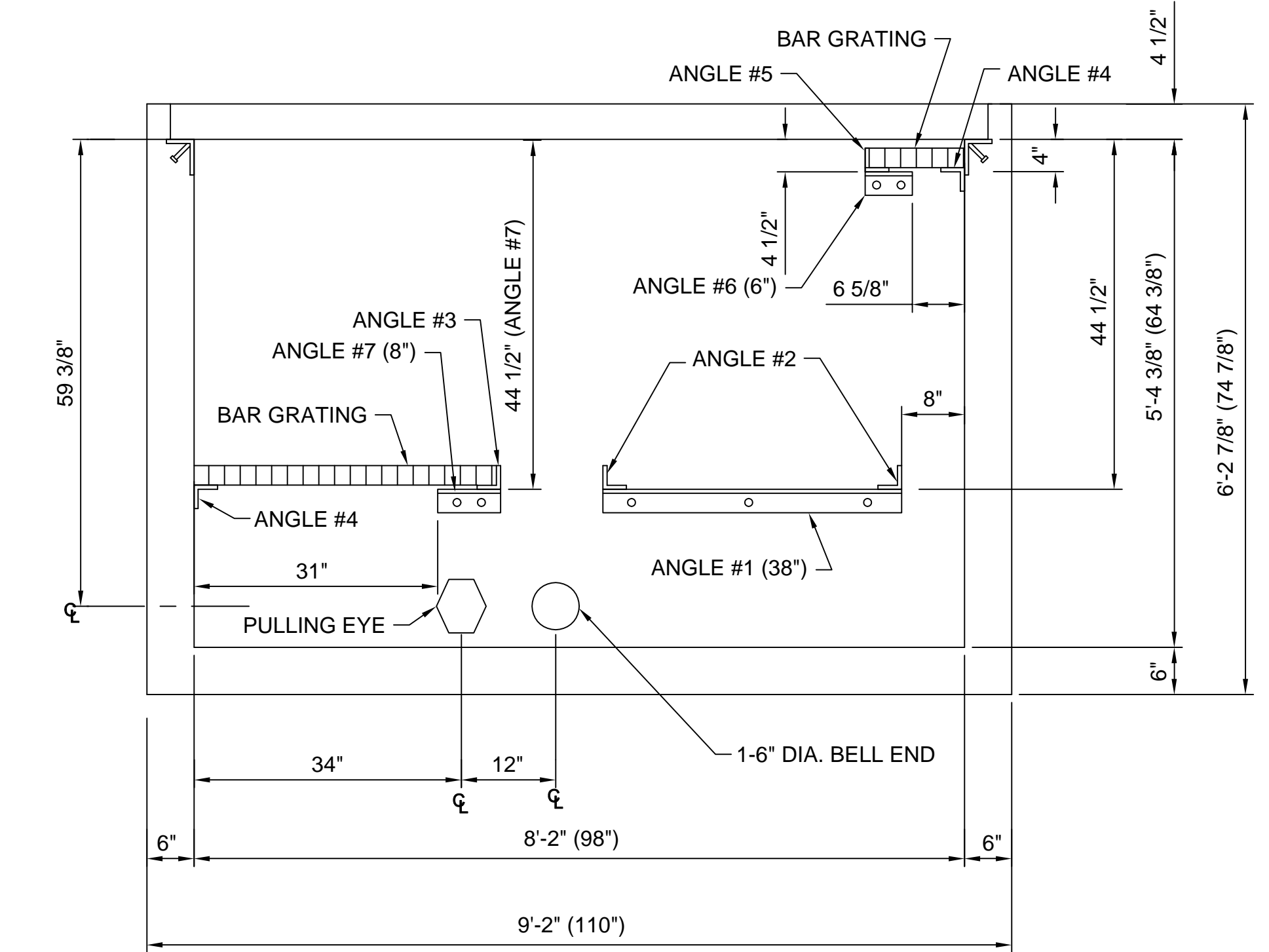


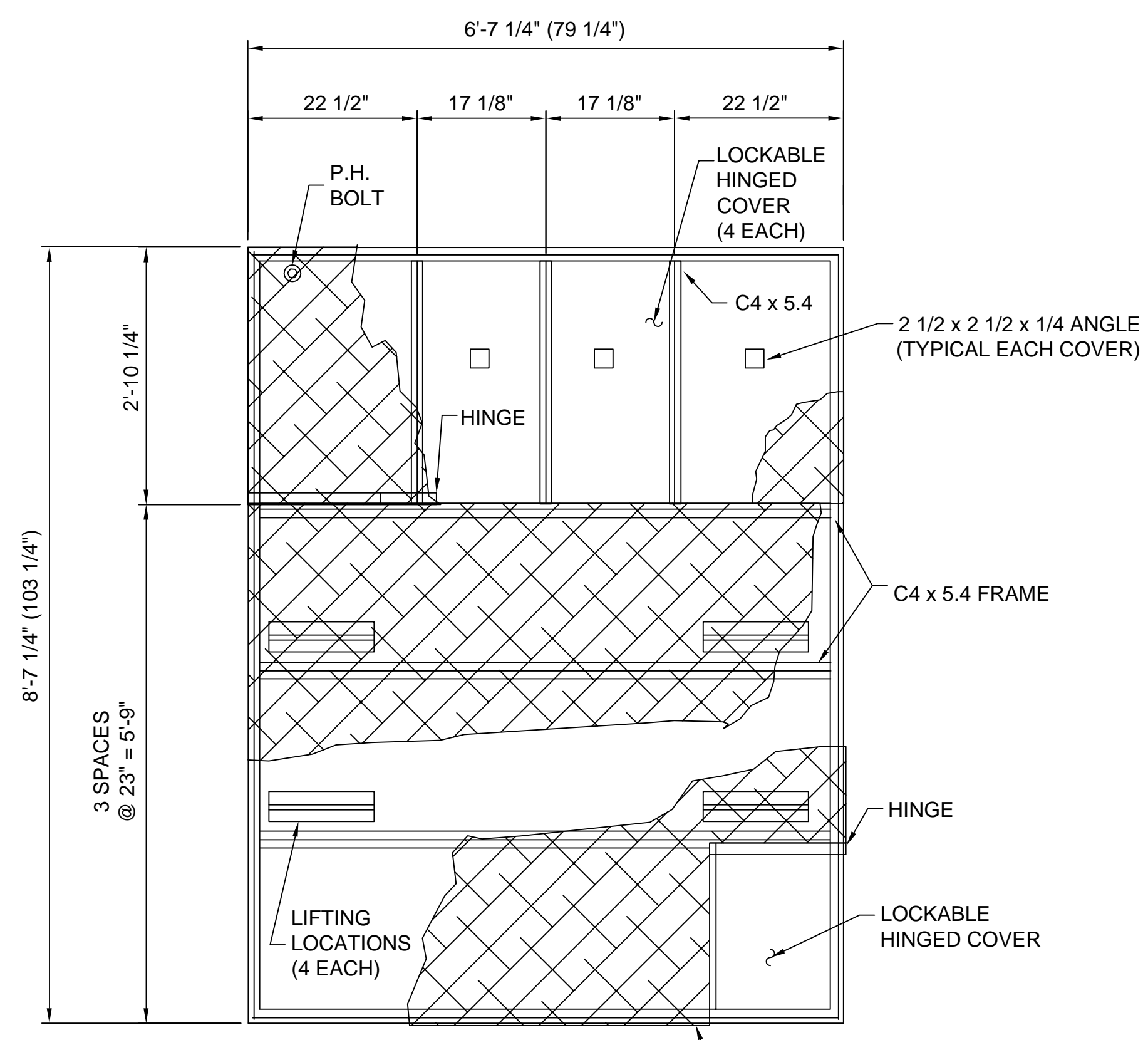
SIDE "C"
PLAN VIEW
 (ANGLE SUPPORTS
 OMITTED FOR CLARITY)



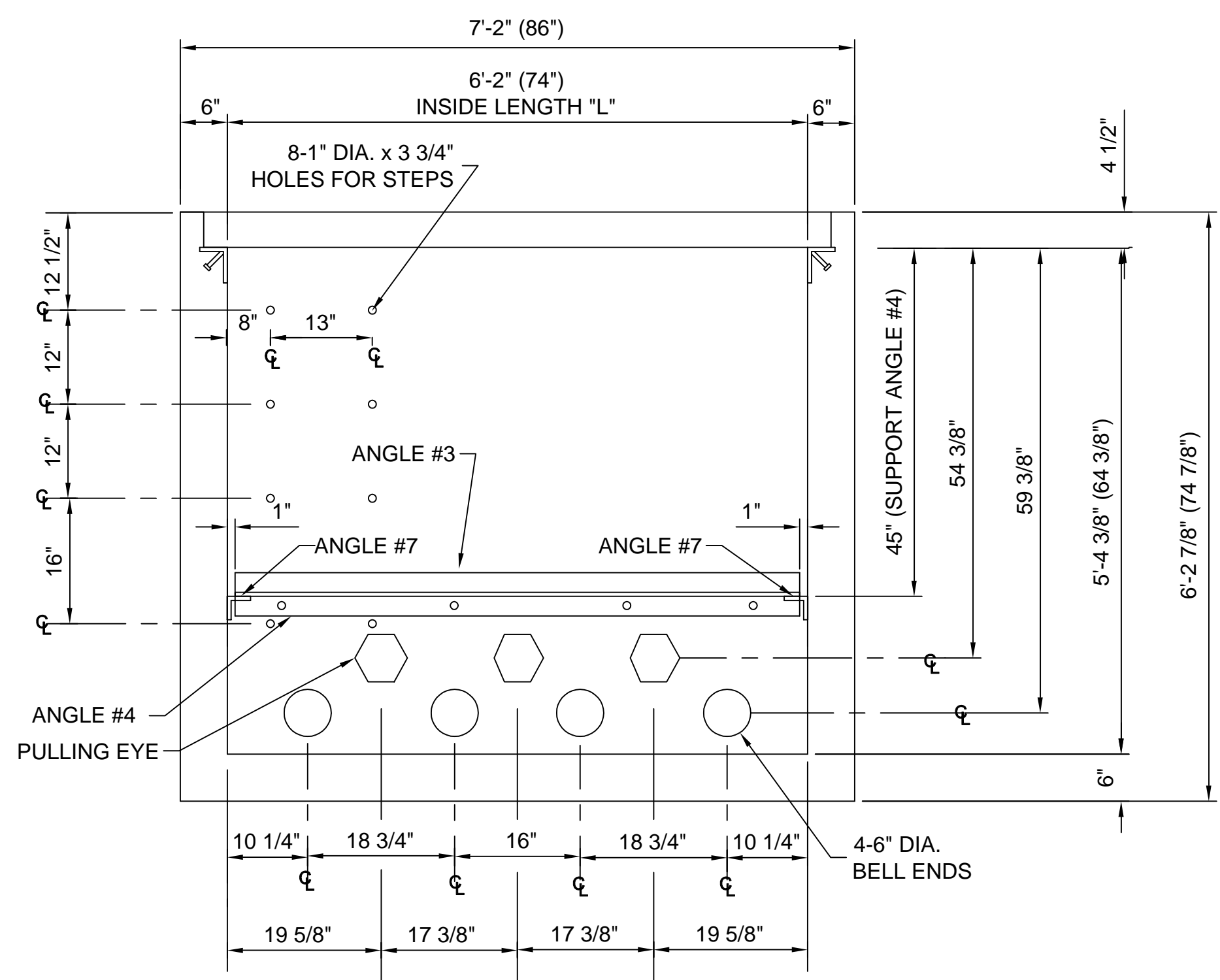
DETAIL SIDE "A"
 SWITCH GEAR END
 (STANDING INSIDE BOX)



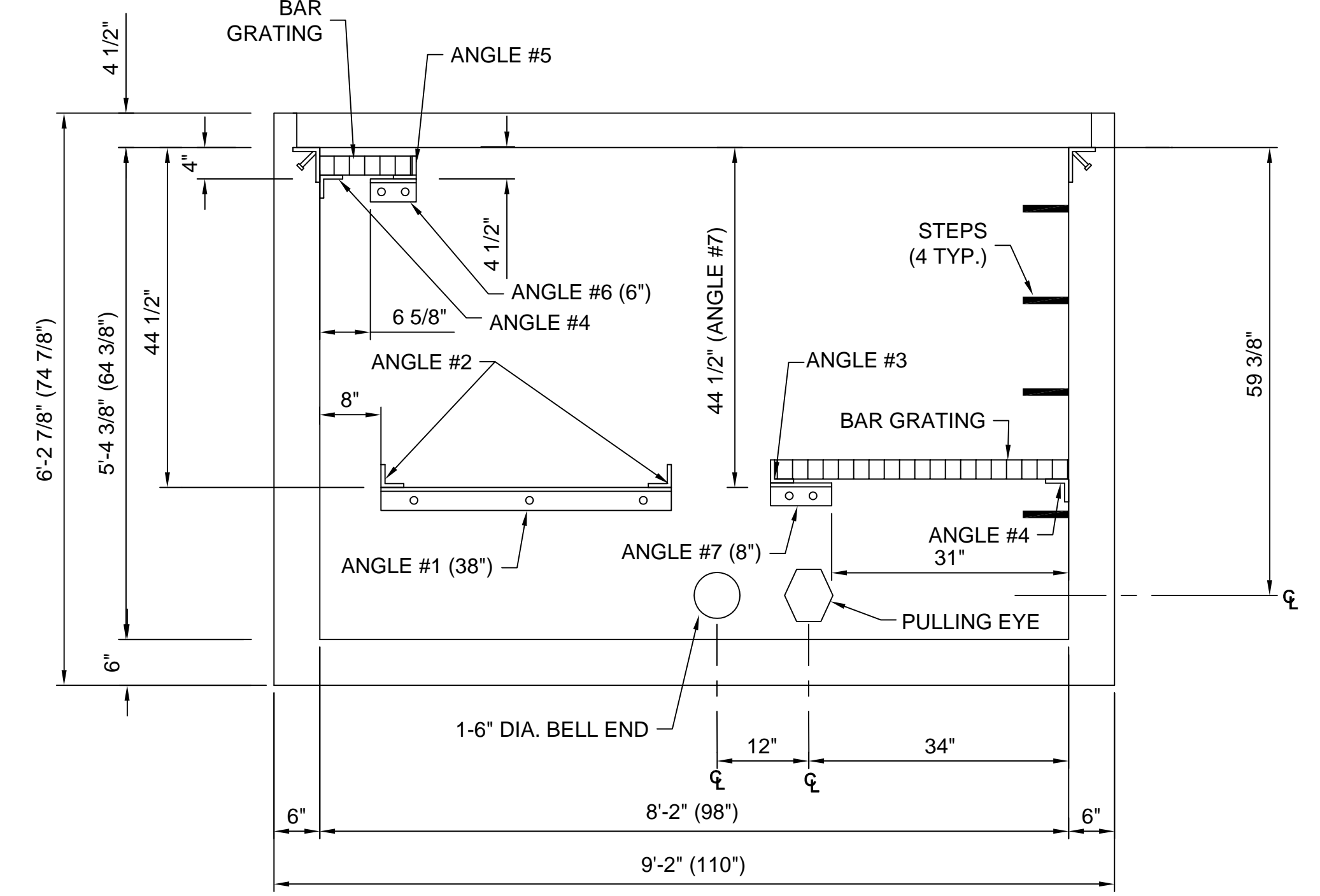
DETAIL SIDE "B"
 (STANDING INSIDE BOX)



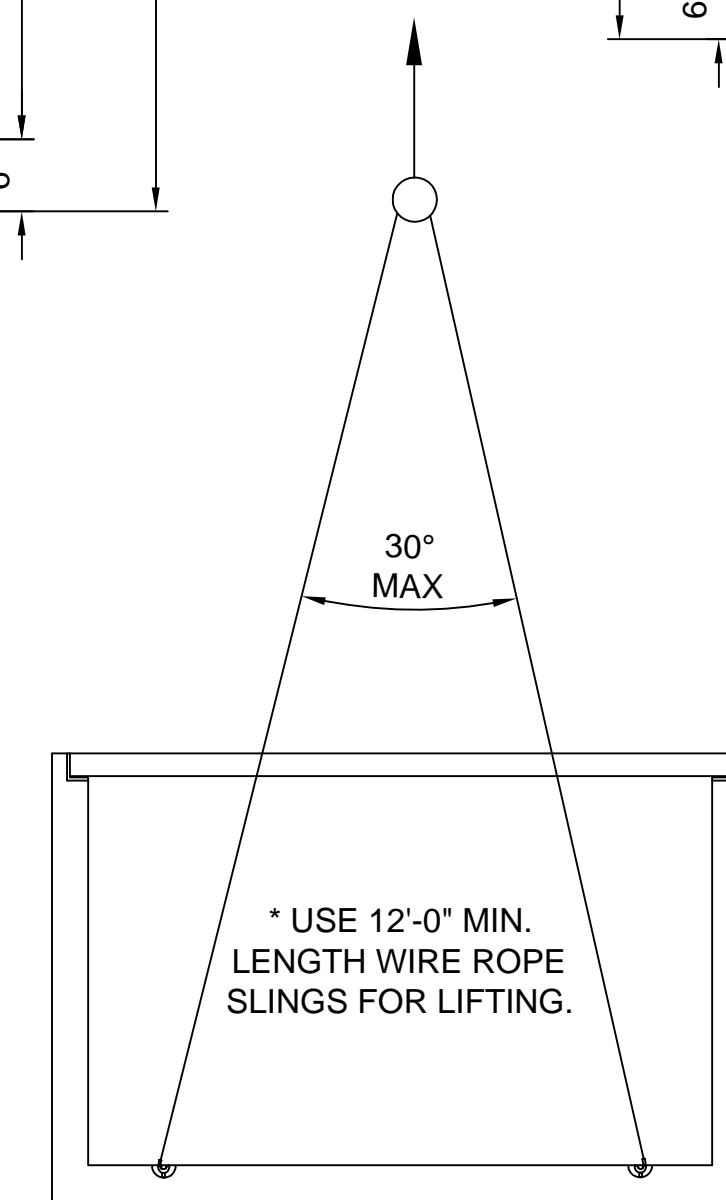
PLAN VIEW - LID
 300 PSF LIVE LOAD
 (NOT DESIGNED FOR VEHICULAR TRAFFIC)
 HOT DIPPED GALVANIZED



DETAIL SIDE "C"
 (STANDING INSIDE BOX)



DETAIL SIDE "D"
 (STANDING INSIDE BOX)



LIFTING DETAIL

NOTE:
 CONCRETE BASE WEIGHT = 18,325#
 STEEL LID WEIGHT = 1,100#

NO.	DATE	BY	REVISION
Trenwa Inc.			
1419 ALEXANDRIA PIKE		FORT THOMAS, KY 41075 859-781-0831	
SCALE: 3/4"=1'-0"		DRAWN BY: ORY APPROVED BY: S.W.	
DATE: July 17, 2003		ARCH D-SIZE DRAWING PLOT 1:1	
S & C ELECTRIC 15.5 KV VISTA SWITCHGEAR			DRAWING NUMBER
4 WAY LIGHT DUTY PULL BOX			4-WAY-LD-S