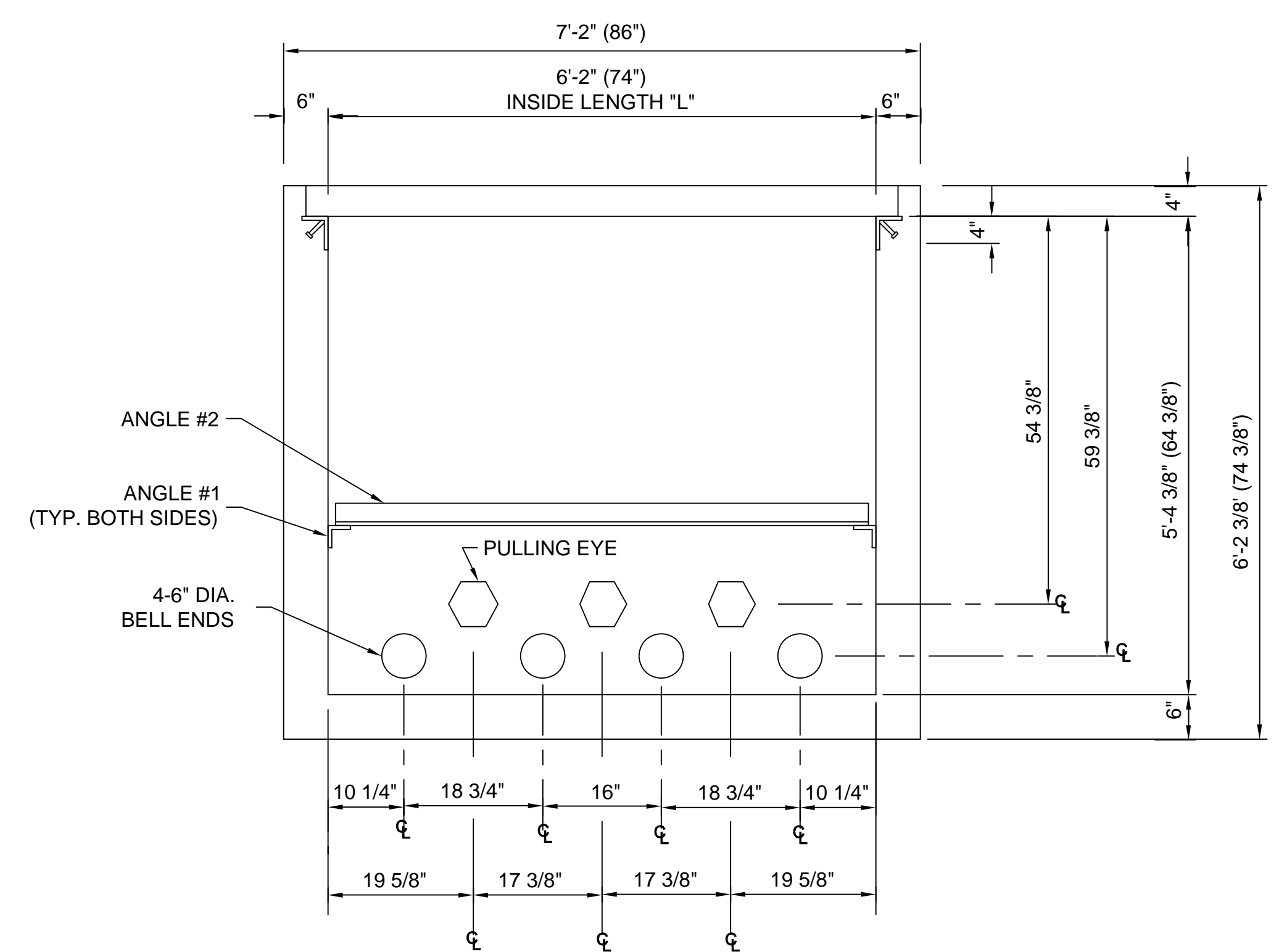
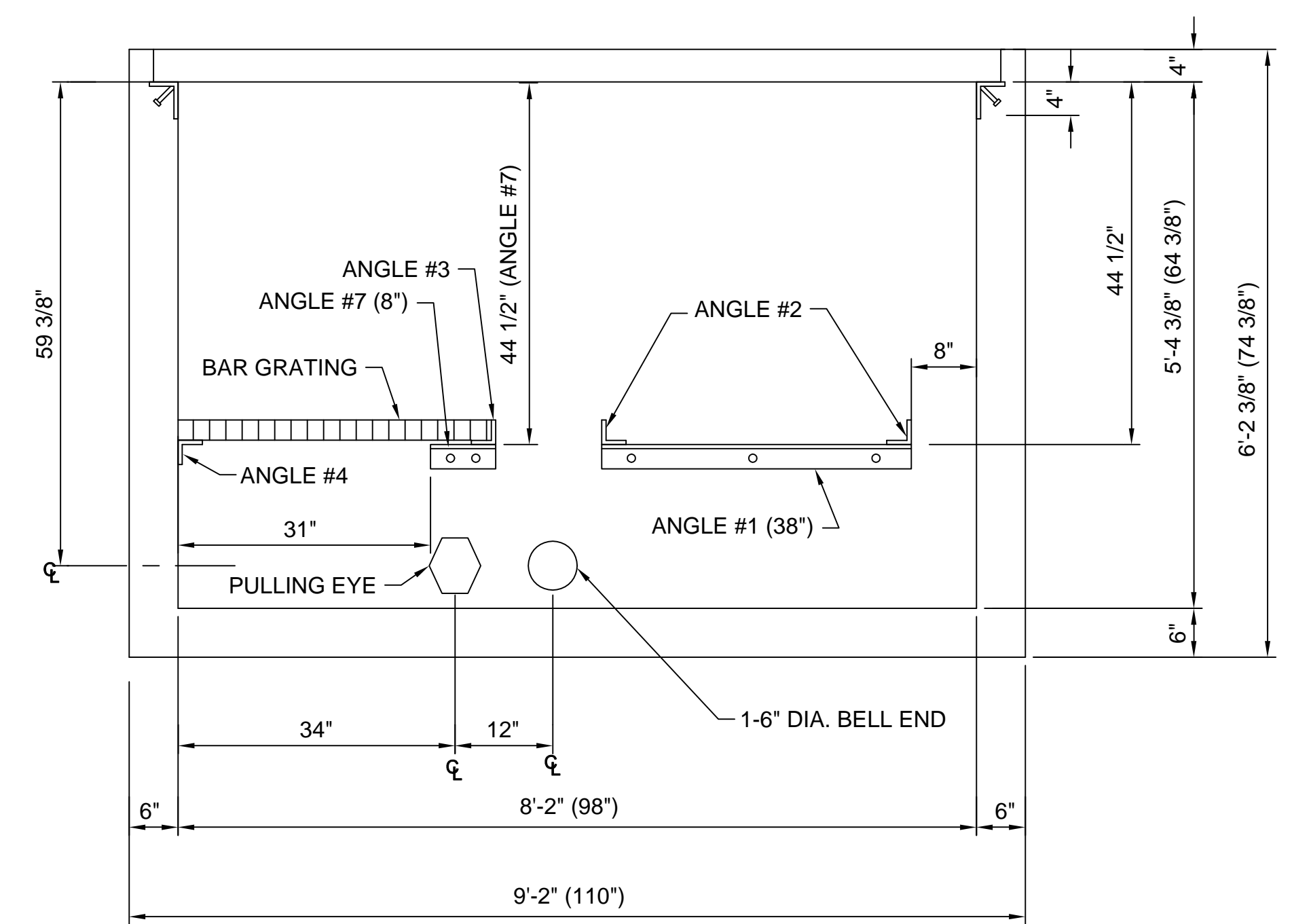


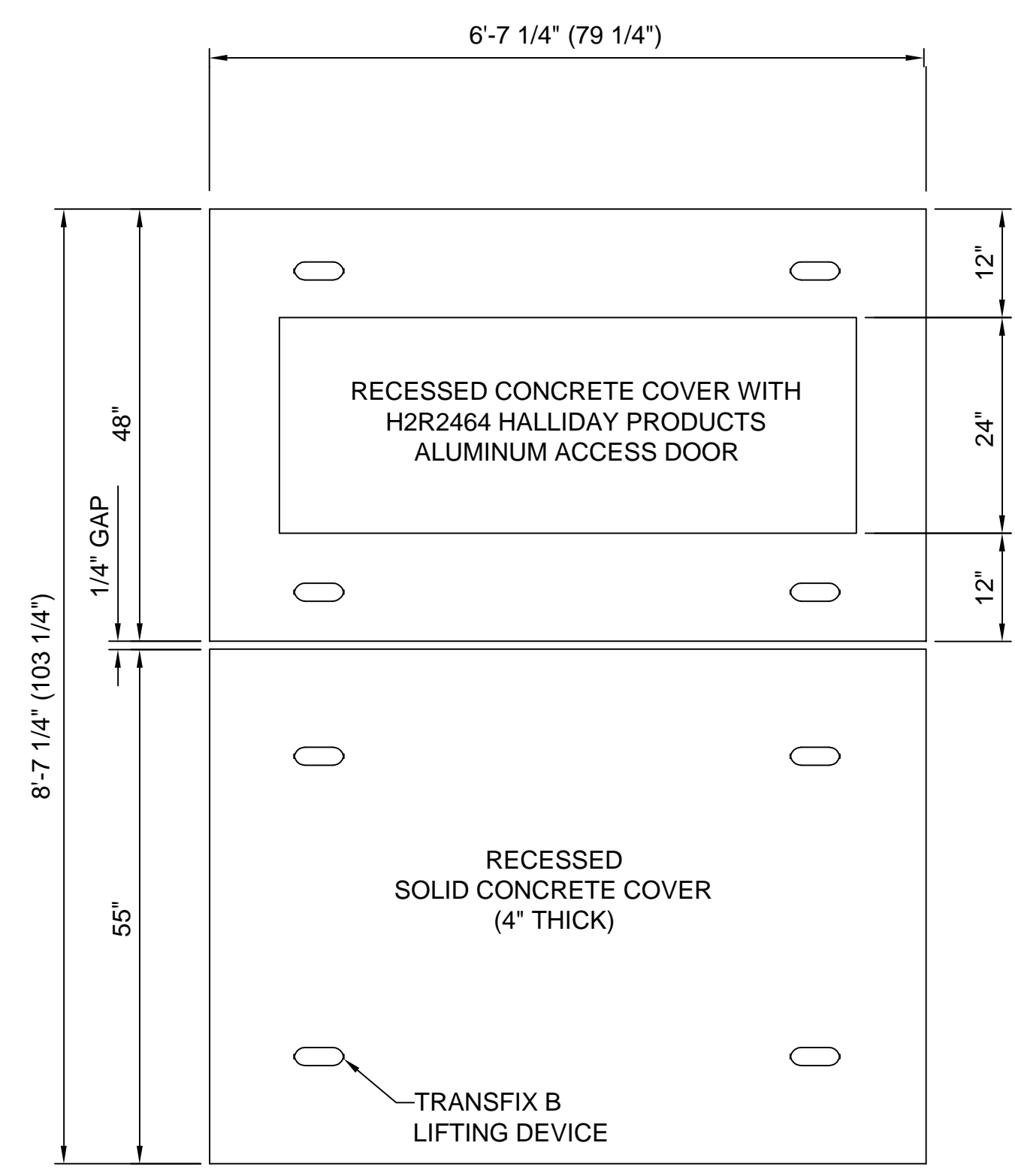
SIDE "C"
PLAN VIEW
(ANGLE SUPPORTS OMITTED FOR CLARITY)



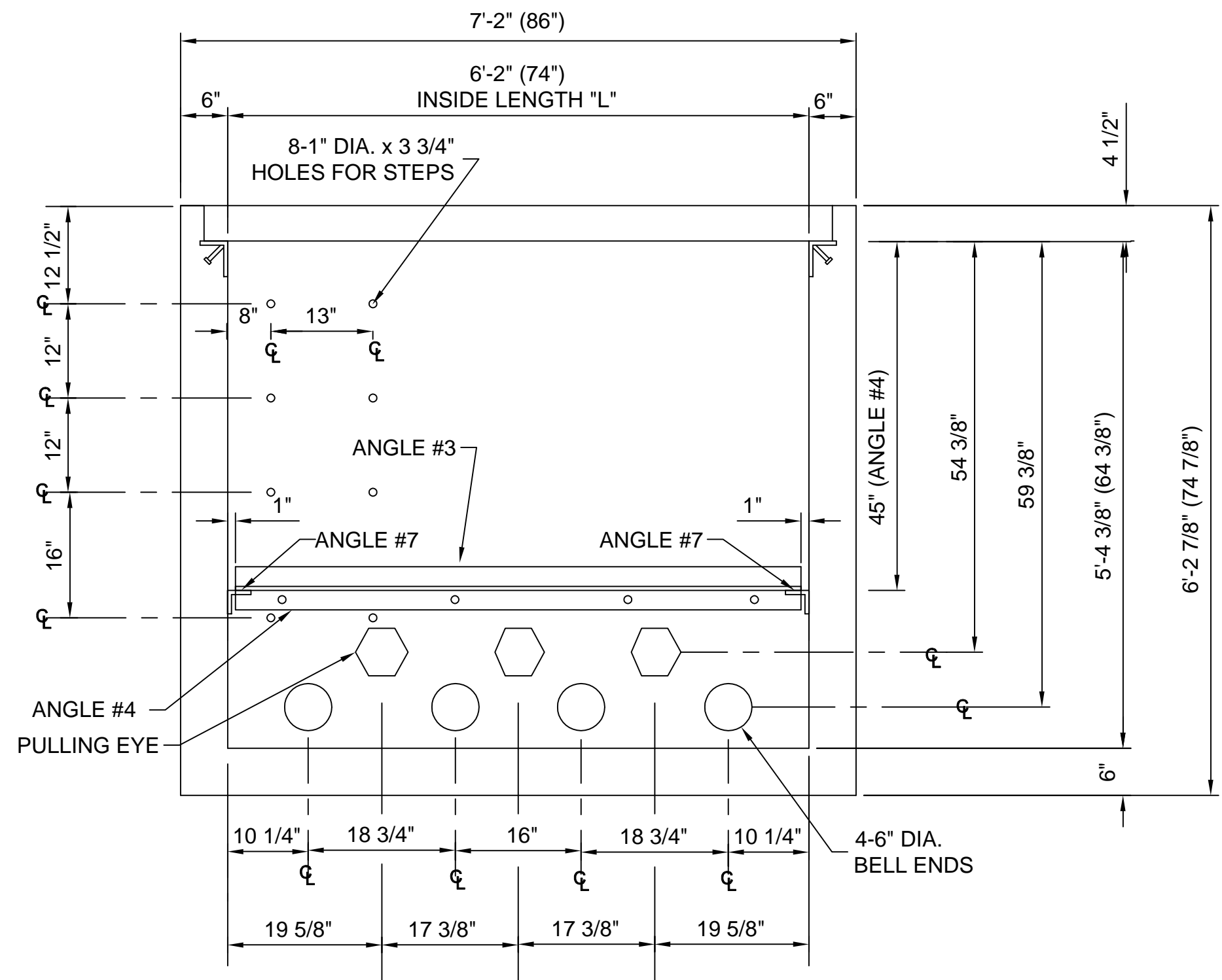
DETAIL SIDE "A"
SWITCH GEAR END
(STANDING INSIDE BOX)



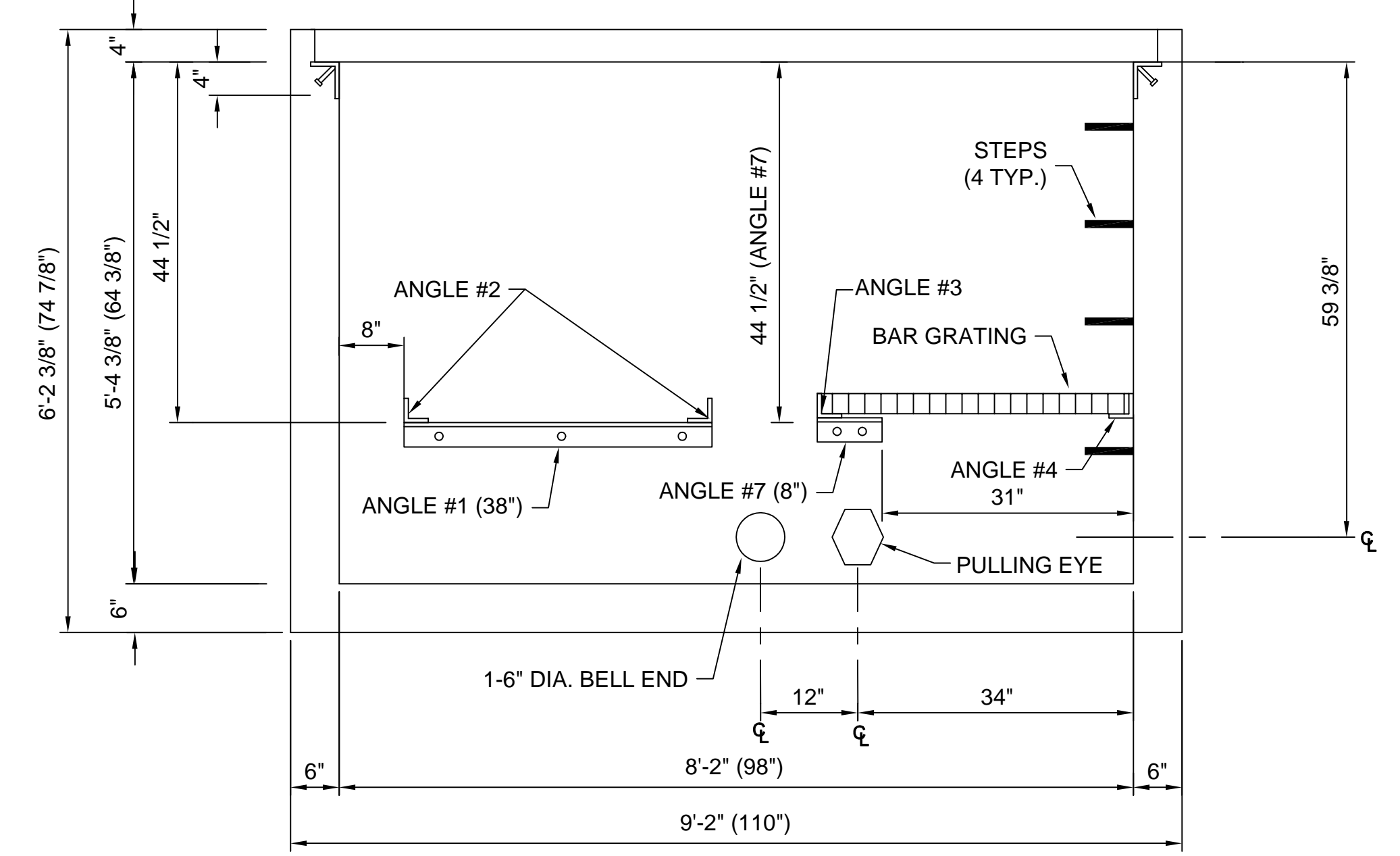
DETAIL SIDE "B"
(STANDING INSIDE BOX)



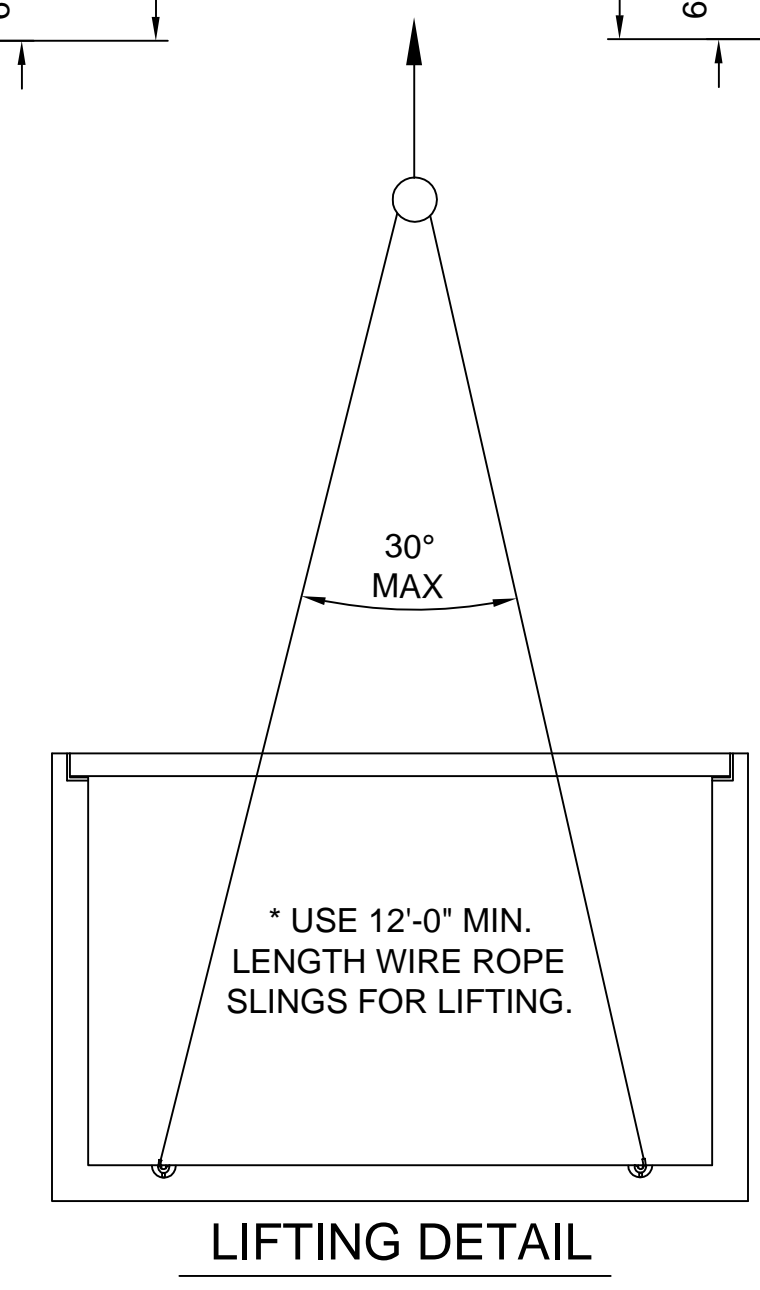
CONCRETE - LIDS
LID LIVE LOAD = 300 PSF
(NOT DESIGNED FOR VEHICULAR TRAFFIC)



DETAIL SIDE "C"
(STANDING INSIDE BOX)



DETAIL SIDE "D"
(STANDING INSIDE BOX)



NOTE:
CONCRETE BASE WEIGHT = 18,225#
SOLID LID WEIGHT = 800#
ACCESS LID WEIGHT = 1,500#

| NO. | DATE | BY | REVISION |
|--|------|------------------------------------|-------------------|
| Trenwa Inc. | | | |
| 1419 ALEXANDRIA PIKE | | FORT THOMAS, KY 41075 859-781-0831 | |
| SCALE: 3/4"=1'-0" | | DRAWN BY: ORY APPROVED BY: S.W. | |
| DATE: July 17, 2003 | | ARCH D-SIZE DRAWING PLOT 1:1 | |
| S & C ELECTRIC 15.5 KV VISTA SWITCHGEAR | | | DRAWING NUMBER |
| 4 WAY LIGHT DUTY PULL BOX | | | 4-WAY-LD-C |