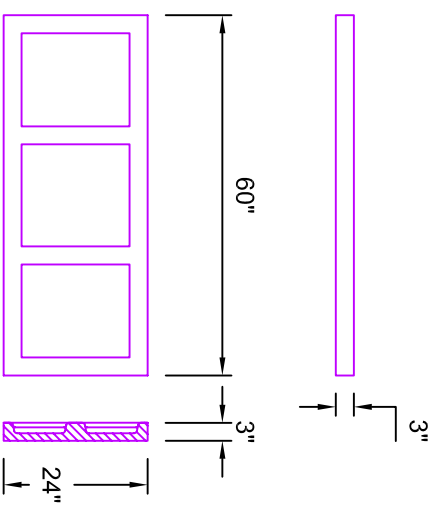
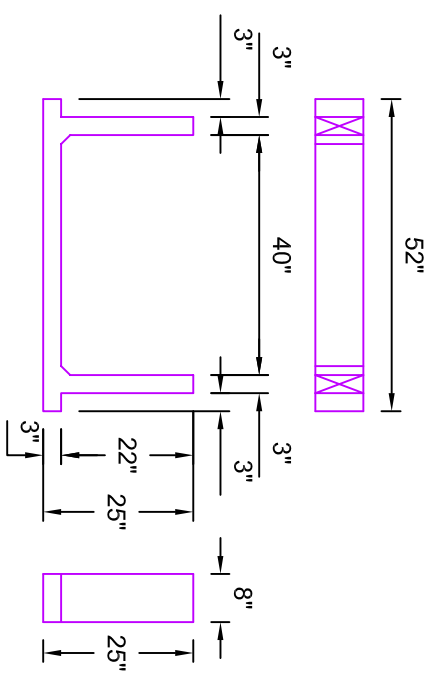


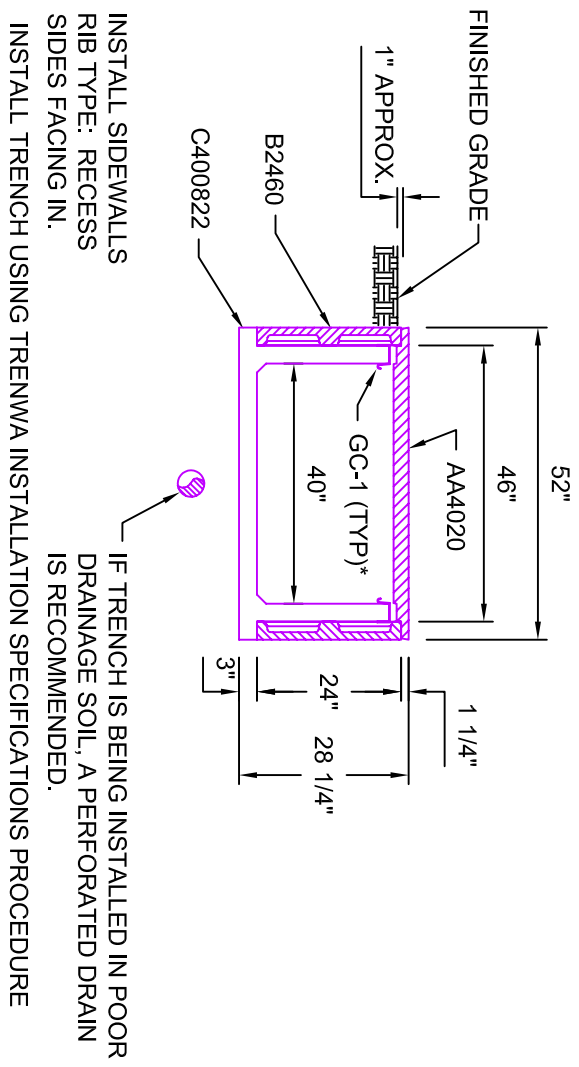
AA4020



B2460



C400822



TYPICAL SECTION 40" WIDE 24" DEEP

*GC1 (GROUND CLIPS) OPTIONAL

Trenwa Inc.	
1419 ALEXANDRIA PIKE FORT THOMAS, KY 41075	859-781-0831
TYPICAL COMPONENT PEDESTRIAN BRACKET, LID & SECTION FOR 40" WIDE 24" DEEP	
Date: 10/31/05	Dwg. No. COMPONENT 4024
Scale: 3/8" = 1'-0"	