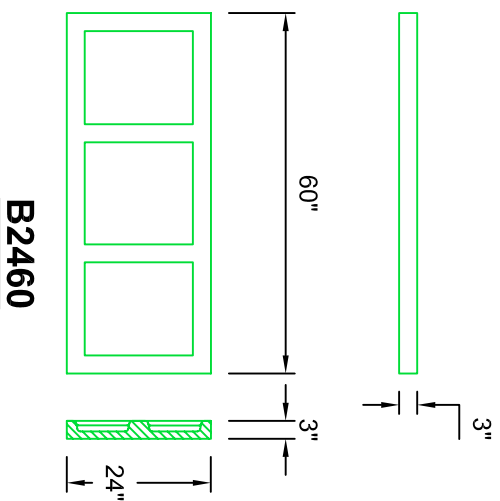
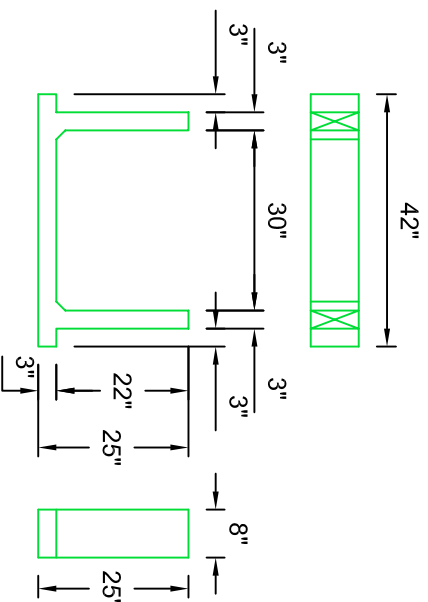


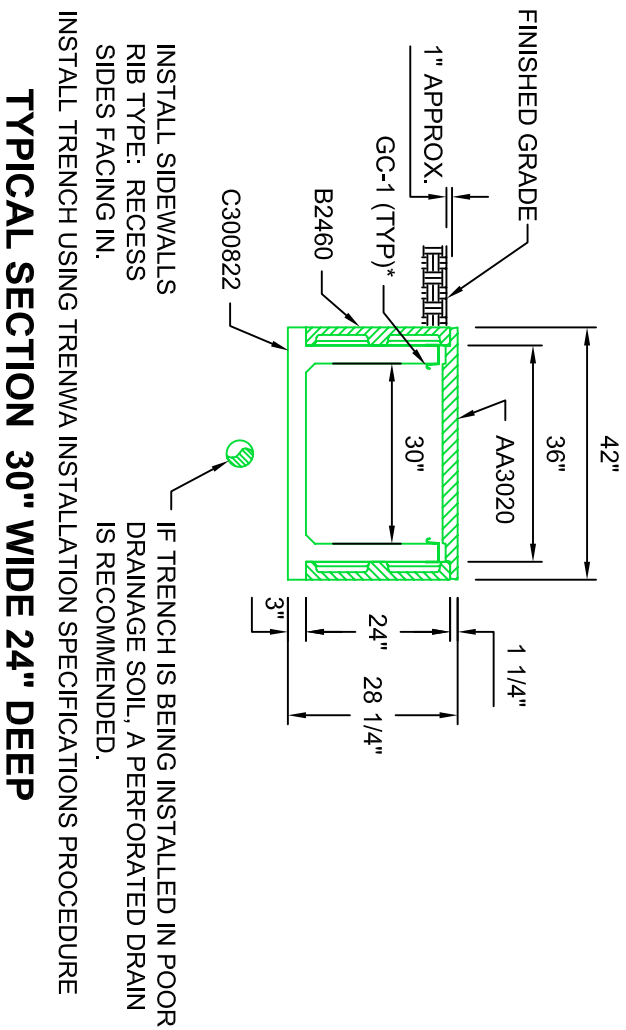
**AA3020**



**B2460**



**C300822**



**TYPICAL SECTION 30" WIDE 24" DEEP**

\*GC1 (GROUND CLIPS) OPTIONAL

**Trenwa Inc.**

1419 ALEXANDRIA PIKE FORT THOMAS, KY 41075 859-781-0831

**TYPICAL COMPONENT PEDESTRIAN BRACKET,  
LID & SECTION FOR 30" WIDE 24" DEEP**

Date: 10/31/05 Dwg. No. COMPONENT 3024

Scale: 3/8" = 1'-0"