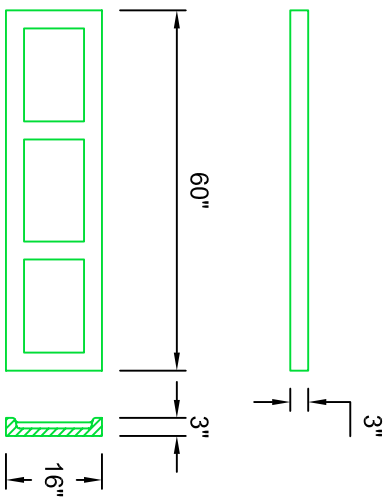
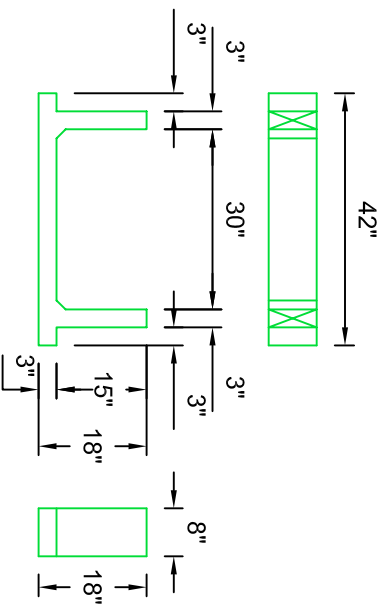


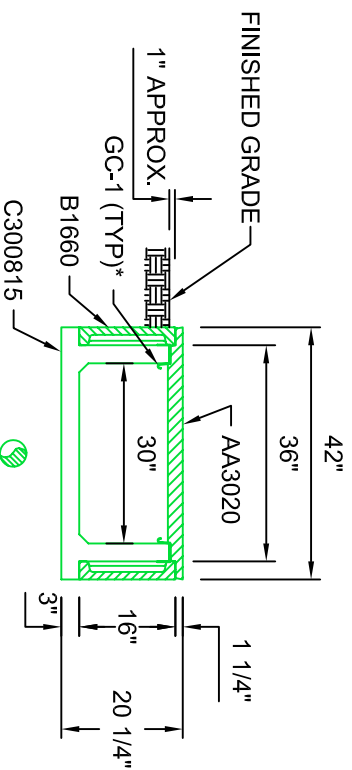
AA3020



B1660



C300815



INSTALL SIDEWALLS
RIB TYPE: RECESS
SIDES FACING IN.
INSTALL TRENCH USING TRENWA INSTALLATION SPECIFICATIONS PROCEDURE

TYPICAL SECTION 30" WIDE 16" DEEP

IF TRENCH IS BEING INSTALLED IN POOR
DRAINAGE SOIL, A PERFORATED DRAIN
IS RECOMMENDED.

*GC1 (GROUND CLIPS) OPTIONAL

Trenwa Inc.

1419 ALEXANDRIA PIKE FORT THOMAS, KY 41075 859-781-0831

**TYPICAL COMPONENT PEDESTRIAN BRACKET,
LID & SECTION FOR 30" WIDE 16" DEEP**

Date:
10/31/05

Dwg. No.
COMPONENT 3016

Scale:
3/8" = 1'-0"