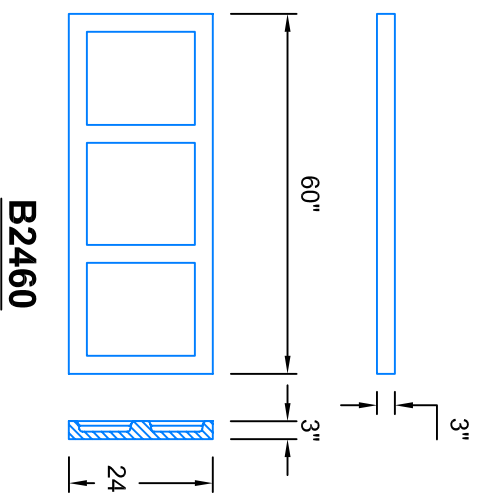
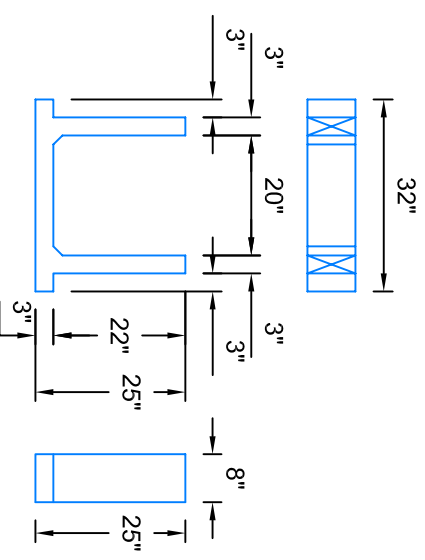


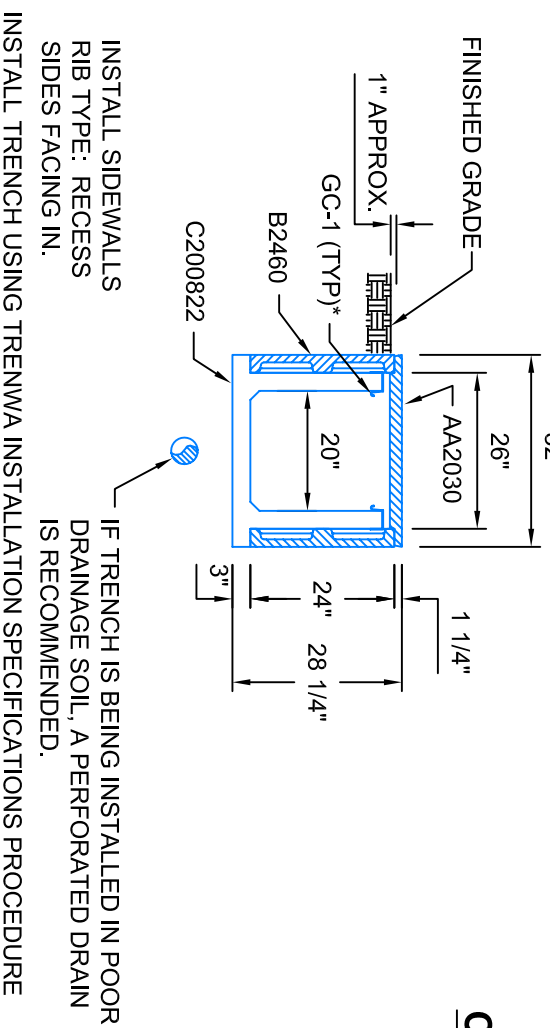
AA2030



B2460



C200822



TYPICAL SECTION 20" WIDE 24" DEEP

*GC1 (GROUND CLIPS) OPTIONAL

INSTALL SIDEWALLS
RIB TYPE: RECESS
SIDES FACING IN.

IF TRENCH IS BEING INSTALLED IN POOR
DRAINAGE SOIL, A PERFORATED DRAIN
IS RECOMMENDED.

INSTALL TRENCH USING TRENWA INSTALLATION SPECIFICATIONS PROCEDURE

Trenwa Inc.

1419 ALEXANDRIA PIKE FORT THOMAS, KY 41075 859-781-0831

TYPICAL COMPONENT PEDESTRIAN BRACKET,
LID & SECTION FOR 20" WIDE 24" DEEP

Date:
10/31/05

Dwg. No.
COMPONENT 2024

Scale:
3/8" = 1'-0"