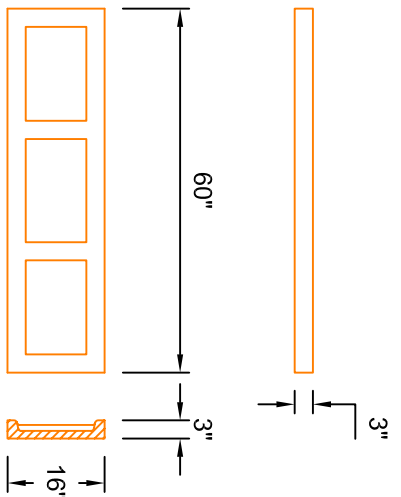
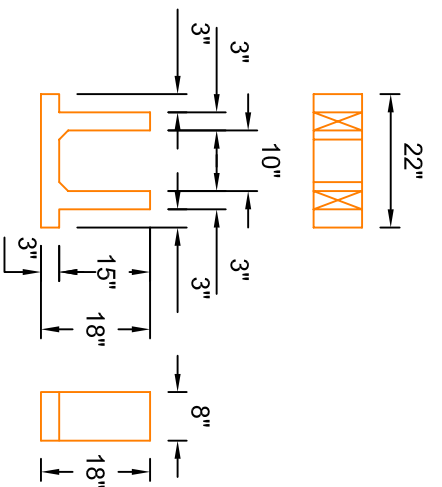


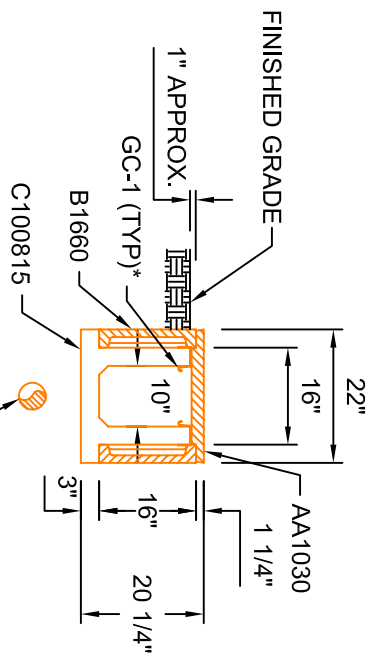
AA1030



B1660



C100815



INSTALL SIDEWALLS
RIB TYPE: RECESS
SIDES FACING IN.

IF TRENCH IS BEING INSTALLED IN POOR
DRAINAGE SOIL, A PERFORATED DRAIN
IS RECOMMENDED.

INSTALL TRENCH USING TRENWA INSTALLATION SPECIFICATIONS PROCEDURE

TYPICAL SECTION 10" WIDE 16" DEEP

*GC1 (GROUND CLIPS) OPTIONAL

Trenwa Inc.

1419 ALEXANDRIA PIKE FORT THOMAS, KY 41075 859-781-0831

**TYPICAL COMPONENT PEDESTRIAN BRACKET,
LID & SECTION FOR 10" WIDE 16" DEEP**

Date: 10/31/05 Dwg. No. COMPONENT 1016 Scale: 3/8" = 1'-0"