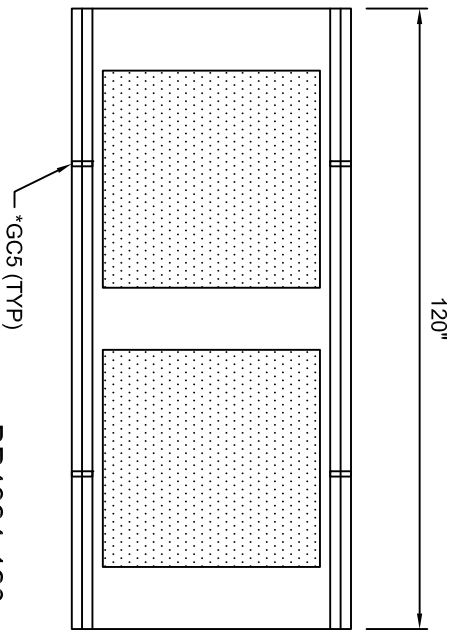
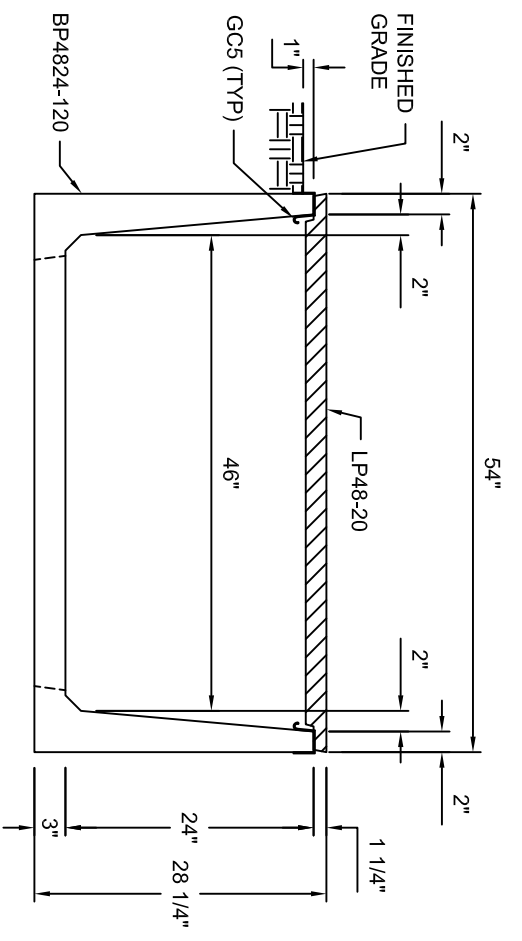
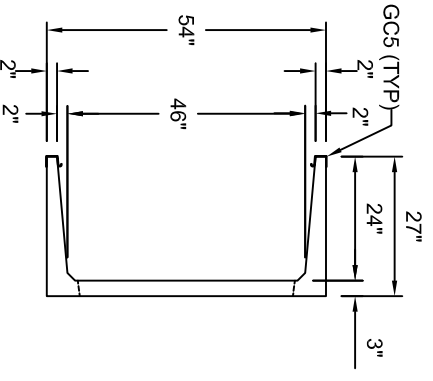


LP48-20
SCALE: 1/2" = 1'-0"



BP4824-120
SCALE: 1/2" = 1'-0"



IF TRENCH IS BEING
INSTALLED IN POOR
DRAINAGE SOIL, A
PERFORMED DRAIN IS
RECOMMENDED.

TYPICAL PEDESTRIAN SECTION
48" WIDE X 24" DEEP

SCALE: 1" = 1'-0"

*GCS (GROUND CLIPS) OPTIONAL

Trenwa Inc.	
1419 ALEXANDRIA PIKE FORT THOMAS, KY 41075	859-781-0831
TYPICAL PEDESTRIAN BASE, LID & SECTION FOR 48" WIDE X 24" DEEP TRENCH	
Date: 8/26/2008	Dwg. No. BP4824-120 STD