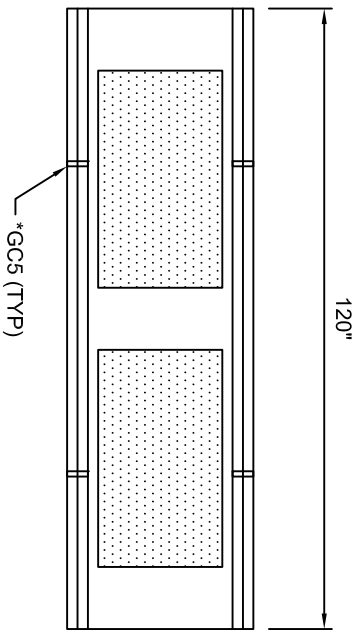
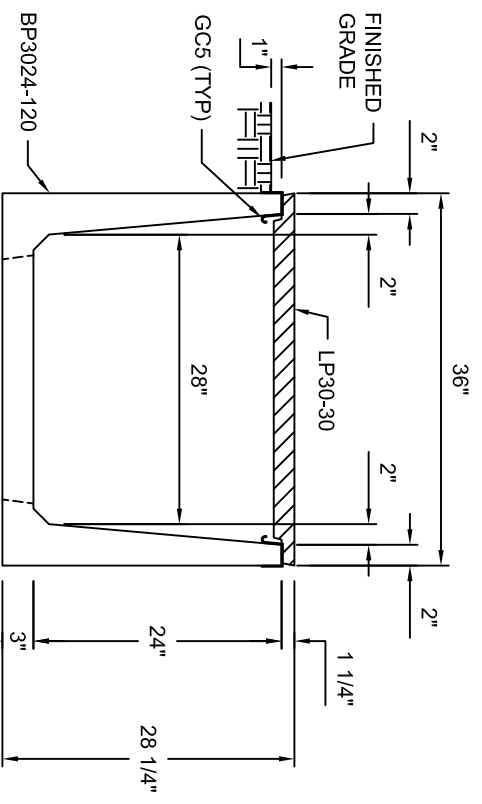
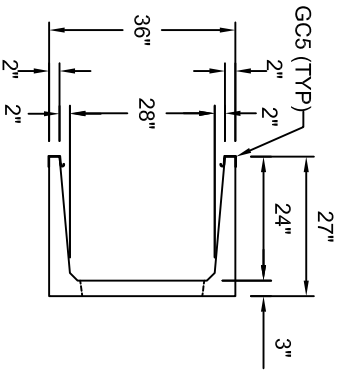


LP30-30
SCALE: 1/2" = 1'-0"



BP3024-120
SCALE: 1/2" = 1'-0"



IF TRENCH IS BEING
INSTALLED IN POOR
DRAINAGE SOIL, A
PERFORATED DRAIN IS
RECOMMENDED.

TYPICAL PEDESTRIAN SECTION
30" WIDE X 24" DEEP

SCALE: 1" = 1'-0"

*GCS (GROUND CLIPS) OPTIONAL

Trenwa Inc.	
1419 ALEXANDRIA PIKE	FORT THOMAS, KY 41075
859-781-0831	
TYPICAL PEDESTRIAN BASE, LID & SECTION FOR 30" WIDE X 24" DEEP TRENCH	
Date:	Dwg. No.
8/26/2008	BP3024-120 STD