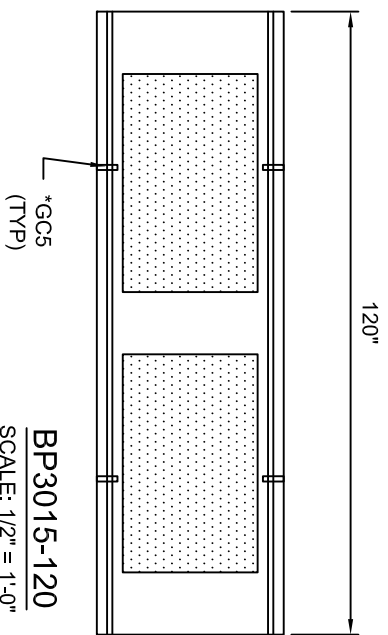
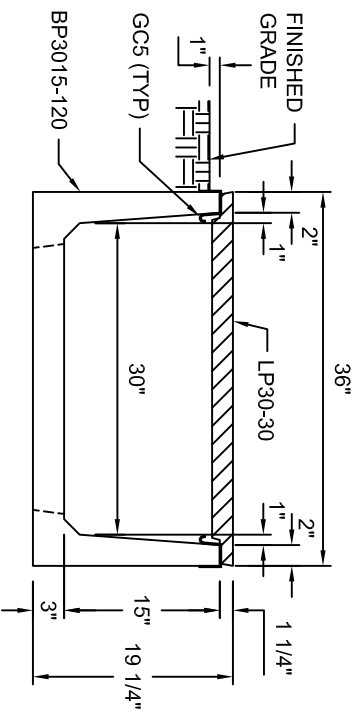
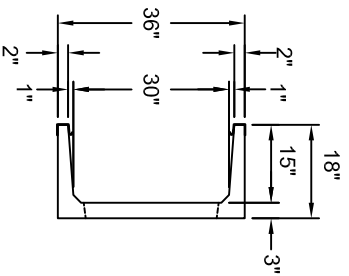


**LP30-30**  
SCALE: 1/2" = 1'-0"



**BP3015-120**  
SCALE: 1/2" = 1'-0"



**TYPICAL PEDESTRIAN SECTION**

**30"W x 15"D**  
SCALE: 1" = 1'-0"

IF TRENCH IS BEING  
INSTALLED IN POOR  
DRAINAGE SOIL, A  
PERFORATED DRAIN IS  
RECOMMENDED.

\*GCS (GROUND CLIPS) OPTIONAL

<b>Trenwa Inc.</b>	
1419 ALEXANDRIA PIKE	FORT THOMAS, KY 41075
859-781-0831	
<b>TYPICAL PEDESTRIAN BASE, LID &amp; SECTION FOR 30" WIDE x 15" DEEP TRENCH</b>	
Date:	Dwg. No.
8/26/2008	BP3015-120 STD