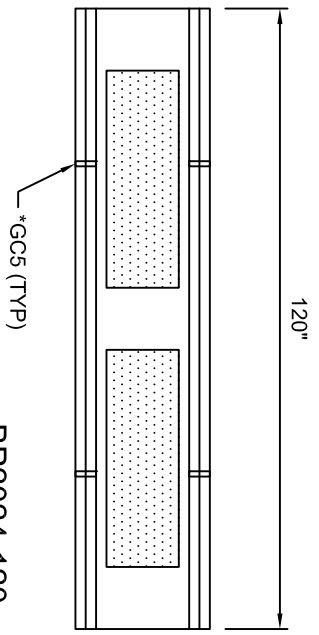


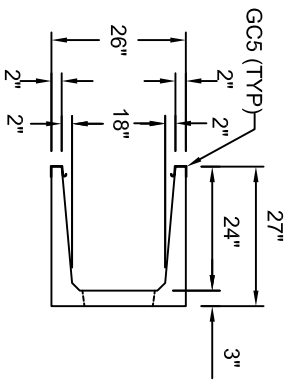
**LP20-30**

SCALE: 1/2" = 1'-0"

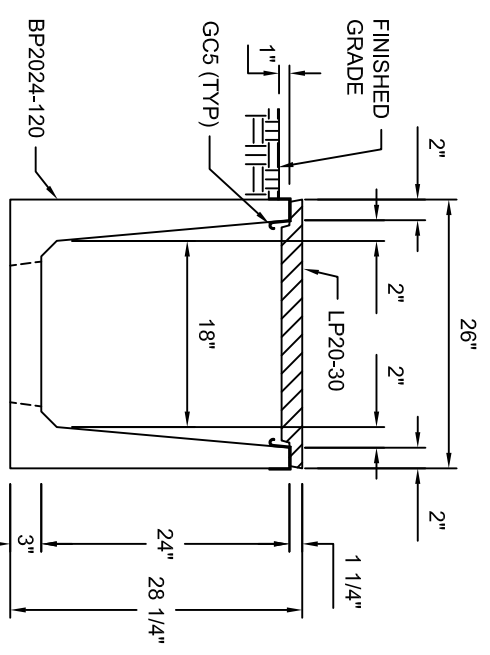


**BP2024-120**

SCALE: 1/2" = 1'-0"



**GCS (TYP)**



IF TRENCH IS BEING  
 INSTALLED IN POOR  
 DRAINAGE SOIL, A  
 PERFORATED DRAIN IS  
 RECOMMENDED.

**TYPICAL PEDESTRIAN SECTION**

**20" WIDE X 24" DEEP**

SCALE: 1" = 1'-0"

**Trenwa Inc.**  
 1419 ALEXANDRIA PIKE FORT THOMAS, KY 41075 859-781-0831

**TYPICAL PEDESTRIAN BASE, LID &  
 SECTION FOR 20" WIDE X 24" DEEP TRENCH**

Date: 8/26/2008 Dwg. No. BP2024-120 STD

\*GCS (GROUND CLIPS) OPTIONAL